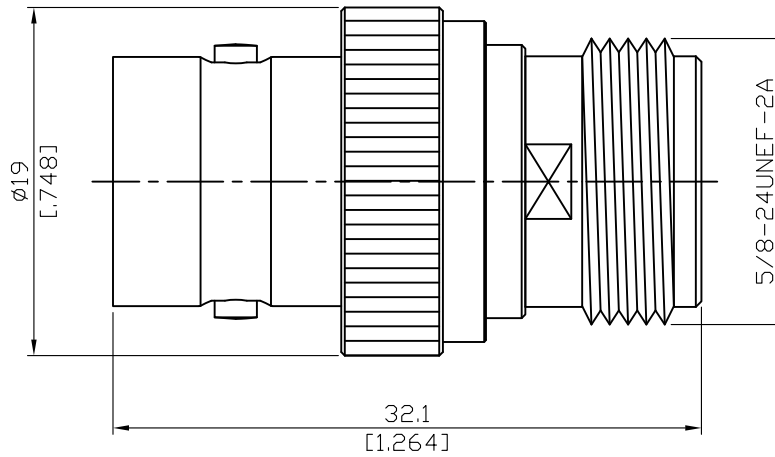


AD-C8N8	C Jack to N Jack 11GHz VSWR 1.25	50Ω
---------	-------------------------------------	-----



Parts	Material	Plating (Micro-inch)
Insulator	Teflon	
Contact Pin	Beryllium Copper	Gold 4 Over Nickel-Phosphorus Alloy 80 Over Copper 20
Body	Brass	Tin-Zinc-Copper-Alloy 100 Over Copper 50

--	--

This part number complies with RoHS.

Notice: JYEBAO reserves the right to make modifications deemed appropriate.

AD-C8N8	C Jack To N Jack 11GHz VSWR 1.25	
<div style="border: 1px solid black; padding: 2px;">Interface</div> <p>Standard</p>	N	C
	MIL-STD-348B	MIL-STD-348B
<div style="border: 1px solid black; padding: 2px;">Electrical Data</div> <p>Impedance</p> <p>Frequency Range</p> <p>VSWR</p> <p>Insertion Loss</p> <p>Insulation Resistance</p> <p>Dielectric Withstanding Voltage (at sea level)</p> <p>Working Voltage (at sea level)</p>	<p>50Ω</p> <p>DC To 11GHz</p> <p>≤ 1.25 (DC To 11GHz)</p> <p>≤ 0.06 x √f(GHz) dB</p> <p>≥ 5000MΩ</p> <p>2500 V rms</p> <p>1000 V rms</p>	
<div style="border: 1px solid black; padding: 2px;">Mechanical Data</div> <p>Recommended Coupling Nut Torque</p> <p>Coupling Proof Torque</p> <p>Contact Captivation-axial</p> <p>Durability (mating)</p>	N	C
	6 to 10 in-lbs	NA
	15 in-lbs	NA
	≥ 6.3 lbs	≥ 6 lbs
	≥ 500	≥ 500
<div style="border: 1px solid black; padding: 2px;">Environmental Data</div> <p>Temperature Range</p> <p>Thermal Shock</p> <p>Moisture Resistance</p> <p>Corrosion</p> <p>RoHS</p>	<p>-65°C to +165°C</p> <p>MIL-STD-202, Method 107, Condition B</p> <p>MIL-STD-202, Method 206</p> <p>MIL-STD-202, Method 101, Condition B</p> <p>Compliant</p>	

Notice: JYEBAO reserves the right to make modifications deemed appropriate.