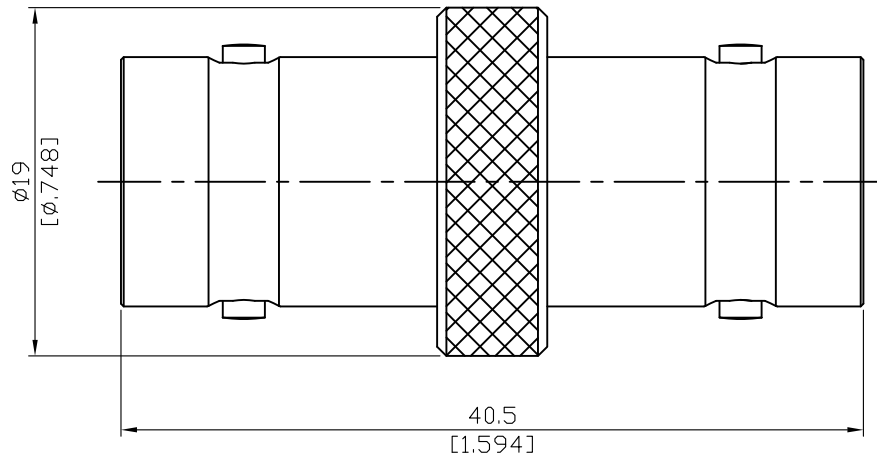


AD-C8C8	C Jack to C Jack 11GHz VSWR 1.25	50Ω
---------	-------------------------------------	-----



Parts	Material	Plating ( Micro-inch )
Contact Pin	Beryllium Copper	Gold 4 Over Nickel-Phosphorus Alloy 80 Over Copper 20
Insulator	Teflon	
Body	Brass	Nickel 200 Over Copper 50

--	--

This part number complies with RoHS.

Notice: JYEBAO reserves the right to make modifications deemed appropriate.

AD-C8C8	<b>C Jack To C Jack 11GHz VSWR 1.25</b>																
<table border="0" style="width: 100%;"> <tr> <td style="width: 30%;"><b>Interface</b></td> <td></td> </tr> <tr> <td>Standard</td> <td>MIL-STD-348B</td> </tr> </table>		<b>Interface</b>		Standard	MIL-STD-348B												
<b>Interface</b>																	
Standard	MIL-STD-348B																
<table border="0" style="width: 100%;"> <tr> <td style="width: 30%;"><b>Electrical Data</b></td> <td></td> </tr> <tr> <td>Impedance</td> <td>50Ω</td> </tr> <tr> <td>Frequency Range</td> <td>DC to 11GHz</td> </tr> <tr> <td>VSWR</td> <td>≤ 1.25 (DC To 11GHz)</td> </tr> <tr> <td>Insertion Loss</td> <td>≤ 0.1 x √f(GHz) dB</td> </tr> <tr> <td>Insulation Resistance</td> <td>≥ 10000MΩ</td> </tr> <tr> <td>Dielectric Withstanding Voltage (at sea level)</td> <td>3000 V rms</td> </tr> <tr> <td>Working Voltage (at sea level)</td> <td>1000 V rms</td> </tr> </table>		<b>Electrical Data</b>		Impedance	50Ω	Frequency Range	DC to 11GHz	VSWR	≤ 1.25 (DC To 11GHz)	Insertion Loss	≤ 0.1 x √f(GHz) dB	Insulation Resistance	≥ 10000MΩ	Dielectric Withstanding Voltage (at sea level)	3000 V rms	Working Voltage (at sea level)	1000 V rms
<b>Electrical Data</b>																	
Impedance	50Ω																
Frequency Range	DC to 11GHz																
VSWR	≤ 1.25 (DC To 11GHz)																
Insertion Loss	≤ 0.1 x √f(GHz) dB																
Insulation Resistance	≥ 10000MΩ																
Dielectric Withstanding Voltage (at sea level)	3000 V rms																
Working Voltage (at sea level)	1000 V rms																
<table border="0" style="width: 100%;"> <tr> <td style="width: 30%;"><b>Mechanical Data</b></td> <td></td> </tr> <tr> <td>Recommended Coupling Nut Torque</td> <td>Per MIL-C-39012</td> </tr> <tr> <td>Contact Captivation-axial</td> <td>≥ 6 lbs</td> </tr> <tr> <td>Durability (mating)</td> <td>≥ 500</td> </tr> </table>		<b>Mechanical Data</b>		Recommended Coupling Nut Torque	Per MIL-C-39012	Contact Captivation-axial	≥ 6 lbs	Durability (mating)	≥ 500								
<b>Mechanical Data</b>																	
Recommended Coupling Nut Torque	Per MIL-C-39012																
Contact Captivation-axial	≥ 6 lbs																
Durability (mating)	≥ 500																
<table border="0" style="width: 100%;"> <tr> <td style="width: 30%;"><b>Environmental Data</b></td> <td></td> </tr> <tr> <td>Temperature Range</td> <td>-65°C to +165°C</td> </tr> <tr> <td>Thermal Shock</td> <td>MIL-STD-202, Method 107, Condition B</td> </tr> <tr> <td>Moisture Resistance</td> <td>MIL-STD-202, Method 206</td> </tr> <tr> <td>Corrosion</td> <td>MIL-STD-202, Method 101, Condition B</td> </tr> <tr> <td>RoHS</td> <td>Compliant</td> </tr> </table>		<b>Environmental Data</b>		Temperature Range	-65°C to +165°C	Thermal Shock	MIL-STD-202, Method 107, Condition B	Moisture Resistance	MIL-STD-202, Method 206	Corrosion	MIL-STD-202, Method 101, Condition B	RoHS	Compliant				
<b>Environmental Data</b>																	
Temperature Range	-65°C to +165°C																
Thermal Shock	MIL-STD-202, Method 107, Condition B																
Moisture Resistance	MIL-STD-202, Method 206																
Corrosion	MIL-STD-202, Method 101, Condition B																
RoHS	Compliant																

Notice: JYEBAO reserves the right to make modifications deemed appropriate.