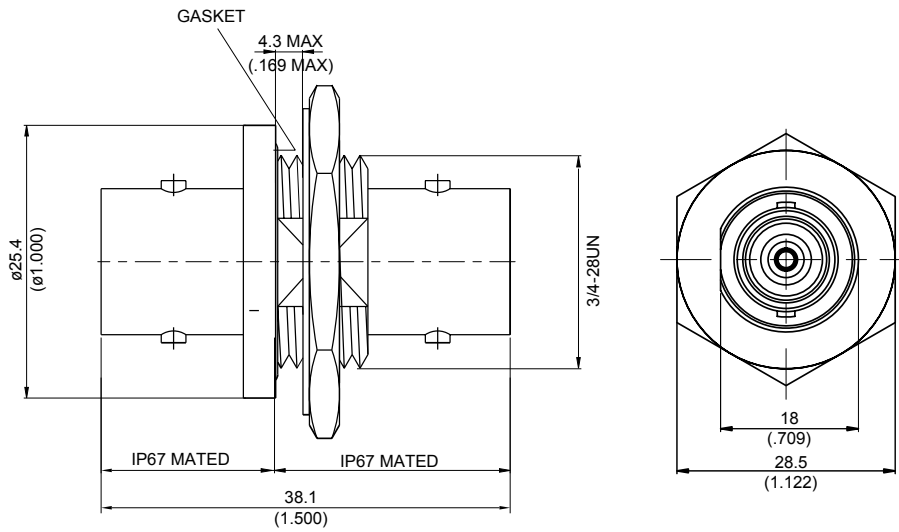


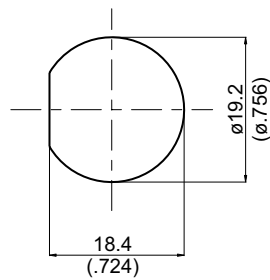
AD-C8C8-BF

C Jack To C Jack Bulkhead
IP67 Mated, 11GHz VSWR 1.25

50Ω



MOUNTING HOLE:



Parts	Material	Plating (Micro-inch)
Contact Pin	Beryllium Copper	Gold 4 Over Nickel-Phosphorus Alloy 80 Over Copper 20
Insulator	Teflon	
Body	Brass	Nickel 100 Over Copper 50
Gasket	Silicon	
Washer	Brass	Nickel 100 Over Copper 50
Hex Nut	Brass	Nickel 100 Over Copper 50

Weight:

This part number complies with RoHS.

Notice: JYEBAO reserves the right to make modifications deemed appropriate.

AD-C8C8-BF	C Jack To C Jack Bulkhead IP67 Mated, 11GHz VSWR 1.25																
<table border="0"> <tr> <td data-bbox="129 342 531 394">Interface</td> <td></td> </tr> <tr> <td data-bbox="129 394 531 533">Standard</td> <td data-bbox="531 394 1482 533">MIL-STD-348B</td> </tr> </table>		Interface		Standard	MIL-STD-348B												
Interface																	
Standard	MIL-STD-348B																
<table border="0"> <tr> <td data-bbox="129 555 531 607">Electrical Data</td> <td></td> </tr> <tr> <td data-bbox="129 607 531 658">Impedance</td> <td data-bbox="531 607 1482 658">50Ω</td> </tr> <tr> <td data-bbox="129 658 531 710">Frequency Range</td> <td data-bbox="531 658 1482 710">DC to 11GHz</td> </tr> <tr> <td data-bbox="129 710 531 761">VSWR</td> <td data-bbox="531 710 1482 761">≤ 1.25 (DC To 11GHz)</td> </tr> <tr> <td data-bbox="129 761 531 813">Insertion Loss</td> <td data-bbox="531 761 1482 813">≤ 0.1 x √f(GHz) dB</td> </tr> <tr> <td data-bbox="129 813 531 864">Insulation Resistance</td> <td data-bbox="531 813 1482 864">≥ 10000MΩ</td> </tr> <tr> <td data-bbox="129 864 531 916">Dielectric Withstanding Voltage (at sea level)</td> <td data-bbox="531 864 1482 916">3000 V rms</td> </tr> <tr> <td data-bbox="129 916 531 967">Working Voltage (at sea level)</td> <td data-bbox="531 916 1482 967">1000 V rms</td> </tr> </table>		Electrical Data		Impedance	50Ω	Frequency Range	DC to 11GHz	VSWR	≤ 1.25 (DC To 11GHz)	Insertion Loss	≤ 0.1 x √f(GHz) dB	Insulation Resistance	≥ 10000MΩ	Dielectric Withstanding Voltage (at sea level)	3000 V rms	Working Voltage (at sea level)	1000 V rms
Electrical Data																	
Impedance	50Ω																
Frequency Range	DC to 11GHz																
VSWR	≤ 1.25 (DC To 11GHz)																
Insertion Loss	≤ 0.1 x √f(GHz) dB																
Insulation Resistance	≥ 10000MΩ																
Dielectric Withstanding Voltage (at sea level)	3000 V rms																
Working Voltage (at sea level)	1000 V rms																
<table border="0"> <tr> <td data-bbox="129 1052 531 1104">Mechanical Data</td> <td></td> </tr> <tr> <td data-bbox="129 1104 531 1155">Recommended Coupling Nut Torque</td> <td data-bbox="531 1104 1482 1155">Per MIL-C-39012</td> </tr> <tr> <td data-bbox="129 1155 531 1207">Contact Captivation-axial</td> <td data-bbox="531 1155 1482 1207">≥ 6 lbs</td> </tr> <tr> <td data-bbox="129 1207 531 1258">Durability (mating)</td> <td data-bbox="531 1207 1482 1258">≥ 500</td> </tr> </table>		Mechanical Data		Recommended Coupling Nut Torque	Per MIL-C-39012	Contact Captivation-axial	≥ 6 lbs	Durability (mating)	≥ 500								
Mechanical Data																	
Recommended Coupling Nut Torque	Per MIL-C-39012																
Contact Captivation-axial	≥ 6 lbs																
Durability (mating)	≥ 500																
<table border="0"> <tr> <td data-bbox="129 1406 531 1458">Environmental Data</td> <td></td> </tr> <tr> <td data-bbox="129 1458 531 1509">Temperature Range</td> <td data-bbox="531 1458 1482 1509">-65°C to +165°C</td> </tr> <tr> <td data-bbox="129 1509 531 1561">Thermal Shock</td> <td data-bbox="531 1509 1482 1561">MIL-STD-202, Method 107, Condition B</td> </tr> <tr> <td data-bbox="129 1561 531 1612">Moisture Resistance</td> <td data-bbox="531 1561 1482 1612">MIL-STD-202, Method 206</td> </tr> <tr> <td data-bbox="129 1612 531 1664">Corrosion</td> <td data-bbox="531 1612 1482 1664">MIL-STD-202, Method 101, Condition B</td> </tr> <tr> <td data-bbox="129 1664 531 1715">RoHS</td> <td data-bbox="531 1664 1482 1715">Compliant</td> </tr> </table>		Environmental Data		Temperature Range	-65°C to +165°C	Thermal Shock	MIL-STD-202, Method 107, Condition B	Moisture Resistance	MIL-STD-202, Method 206	Corrosion	MIL-STD-202, Method 101, Condition B	RoHS	Compliant				
Environmental Data																	
Temperature Range	-65°C to +165°C																
Thermal Shock	MIL-STD-202, Method 107, Condition B																
Moisture Resistance	MIL-STD-202, Method 206																
Corrosion	MIL-STD-202, Method 101, Condition B																
RoHS	Compliant																

Notice: JYEBAO reserves the right to make modifications deemed appropriate.