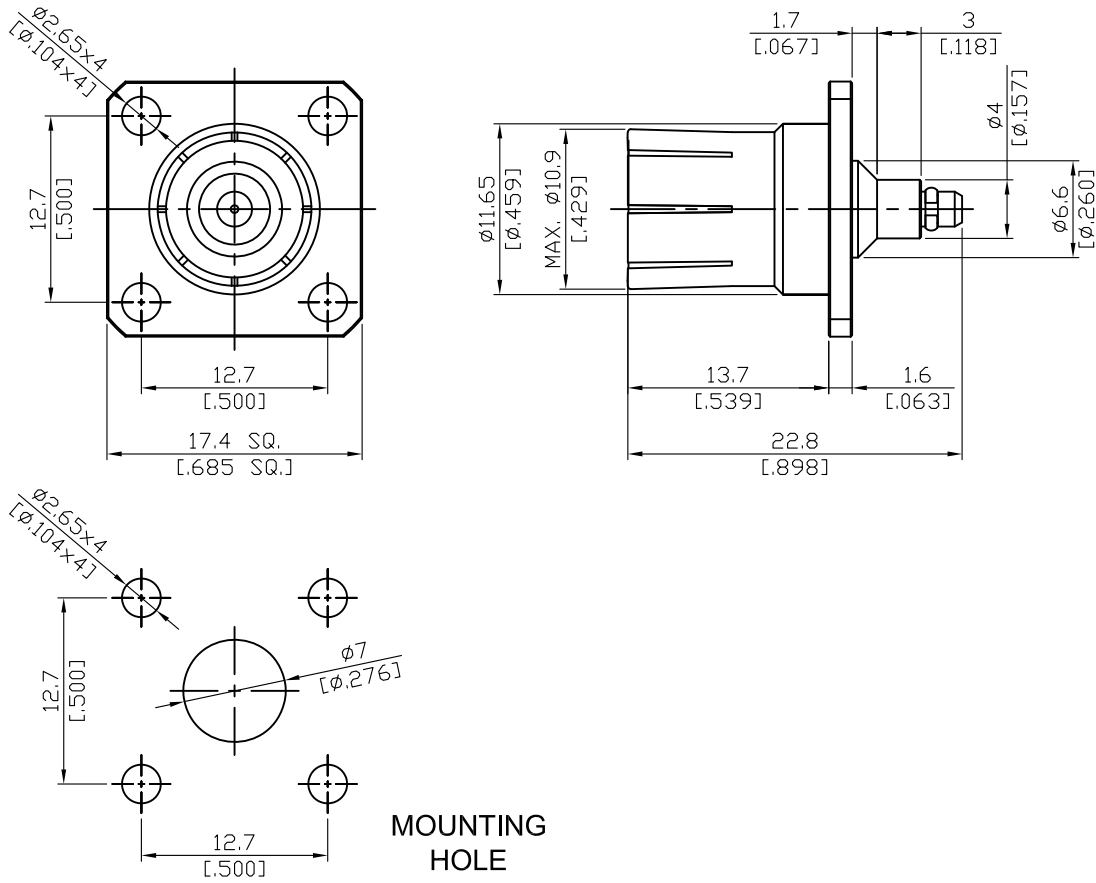


AD-C3E3-P4

Snap On C Plug To MMCX Plug  
With 4 Hole Flange, 6GHz VSWR 1.2

50Ω



Parts	Material	Plating ( Micro-inch )
Retainer Ring	Beryllium Copper	Gold 4 Over Nickel-Phosphorus Alloy 80 Over Copper 20
Contact Pin	Brass	Gold 4 Over Nickel-Phosphorus Alloy 80 Over Copper 20
Insulator	Teflon	
SMA Body	Brass	Gold 4 Over Nickel-Phosphorus Alloy 80 Over Copper 20
C Body	Brass	Tin-Zinc-Copper-Alloy 100 Over Copper 50

This part number complies with RoHS.

Notice: JYEBAO reserves the right to make modifications deemed appropriate.

AD-C3E3-P4	Snap On C Plug To MMCX Plug With 4 Hole Flange, 6GHz VSWR 1.2													
<div style="border: 1px solid black; padding: 2px;">Interface</div> <p>Standard</p>	<table border="1"> <thead> <tr> <th>C</th> <th>MMCX</th> </tr> </thead> <tbody> <tr> <td>MIL-STD-348B</td> <td>IEC 61169-52</td> </tr> </tbody> </table>	C	MMCX	MIL-STD-348B	IEC 61169-52									
C	MMCX													
MIL-STD-348B	IEC 61169-52													
<div style="border: 1px solid black; padding: 2px;">Electrical Data</div> <p>Impedance</p> <p>Frequency Range</p> <p>VSWR</p> <p>Insertion Loss</p> <p>Insulation Resistance</p> <p>Dielectric Withstanding Voltage (at sea level)</p> <p>Working Voltage (at sea level)</p>	<p>50Ω</p> <p>DC To 6GHz</p> <p>≤ 1.2 (DC To 6GHz)</p> <p>≤ 0.1 x √f(GHz) dB</p> <p>≥ 10000MΩ</p> <p>500 V rms</p> <p>170 V rms</p>													
<div style="border: 1px solid black; padding: 2px;">Mechanical Data</div> <p>Engagement force</p> <p>Disengagement force</p> <p>Coupling Nut Retention Force</p> <p>Contact Captivation-axial</p> <p>Durability (mating)</p>	<table border="1"> <thead> <tr> <th>C</th> <th>MMCX</th> </tr> </thead> <tbody> <tr> <td>NA</td> <td>≤ 3.4 lbs</td> </tr> <tr> <td>NA</td> <td>1.4 to 3.4 lbs</td> </tr> <tr> <td>NA</td> <td>≥ 100 lbs</td> </tr> <tr> <td>≥ 6 lbs</td> <td>≥ 2.3 lbs</td> </tr> <tr> <td>≥ 500</td> <td>≥ 500</td> </tr> </tbody> </table>		C	MMCX	NA	≤ 3.4 lbs	NA	1.4 to 3.4 lbs	NA	≥ 100 lbs	≥ 6 lbs	≥ 2.3 lbs	≥ 500	≥ 500
C	MMCX													
NA	≤ 3.4 lbs													
NA	1.4 to 3.4 lbs													
NA	≥ 100 lbs													
≥ 6 lbs	≥ 2.3 lbs													
≥ 500	≥ 500													
<div style="border: 1px solid black; padding: 2px;">Environmental Data</div> <p>Temperature Range</p> <p>Thermal Shock</p> <p>Moisture Resistance</p> <p>Corrosion</p> <p>RoHS</p>	<p>-65°C to +165°C</p> <p>MIL-STD-202, Method 107, Condition B</p> <p>MIL-STD-202, Method 206</p> <p>MIL-STD-202, Method 101, Condition B</p> <p>Compliant</p>													

Notice: JYEBAO reserves the right to make modifications deemed appropriate.

# AD-C3E3-P4

