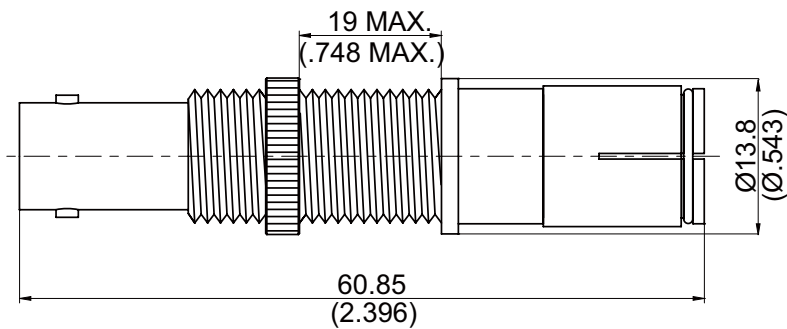


AD-B8F3Q-BF

**BNC Jack Bulkhead to Snap on F Plug 75Ω**  
**2GHz VSWR 1.2**



Parts	Material	Plating (Micro-inch)
Retainer Ring	SK5	Tin-Zinc-Copper-Alloy 100 Over Copper 50
Insulator	Teflon	
Contact Pin(F)	Brass	Gold 4 Over Nickel-Phosphorus Alloy 80 Over Copper 20
Contact Pin(BNC)	Beryllium Copper	Gold 4 Over Nickel-Phosphorus Alloy 80 Over Copper 20
Body	Brass	Tin-Zinc-Copper-Alloy 100 Over Copper 50

Weight:

**This part number complies with RoHS.**

**Notice: JYBAO reserves the right to make modifications deemed appropriate.**

AD-B8F3Q-BF	BNC Jack Bulkhead to Snap on F Plug 2GHz VSWR 1.2													
<div style="border: 1px solid black; padding: 2px;">Interface</div> <p>Standard</p>	<table border="1"> <tr> <th>BNC Jack Side</th> <th>F Plug Snap On Side</th> </tr> <tr> <td>MIL-STD-348B</td> <td>Per JYEBAO Snap on F Plug</td> </tr> </table>	BNC Jack Side	F Plug Snap On Side	MIL-STD-348B	Per JYEBAO Snap on F Plug									
BNC Jack Side	F Plug Snap On Side													
MIL-STD-348B	Per JYEBAO Snap on F Plug													
<div style="border: 1px solid black; padding: 2px;">Electrical Data</div> <p>Impedance</p> <p>Frequency Range</p> <p>VSWR</p> <p>Insulation Resistance</p> <p>Dielectric Withstanding Voltage (at sea level)</p> <p>Working Voltage (at sea level)</p>	<p>75Ω</p> <p>DC To 2GHz</p> <p>≤ 1.2 (DC To 2GHz)</p> <p>≥ 5000MΩ</p> <p>1500 V rms</p> <p>500 V rms</p>													
<div style="border: 1px solid black; padding: 2px;">Mechanical Data</div> <p>Recommended Coupling Nut Torque</p> <p>Contact Captivation-axial</p> <p>Durability (mating)</p>	<table border="1"> <thead> <tr> <th></th> <th>BNC</th> <th>F</th> </tr> </thead> <tbody> <tr> <td>Recommended Coupling Nut Torque</td> <td>0.6 to 2.5 in-lbs</td> <td>NA (Snap On)</td> </tr> <tr> <td>Contact Captivation-axial</td> <td>≥ 6.1 lbs</td> <td>NA</td> </tr> <tr> <td>Durability (mating)</td> <td>≥ 500</td> <td>≥ 500</td> </tr> </tbody> </table>			BNC	F	Recommended Coupling Nut Torque	0.6 to 2.5 in-lbs	NA (Snap On)	Contact Captivation-axial	≥ 6.1 lbs	NA	Durability (mating)	≥ 500	≥ 500
	BNC	F												
Recommended Coupling Nut Torque	0.6 to 2.5 in-lbs	NA (Snap On)												
Contact Captivation-axial	≥ 6.1 lbs	NA												
Durability (mating)	≥ 500	≥ 500												
<div style="border: 1px solid black; padding: 2px;">Environmental Data</div> <p>Temperature Range</p> <p>Thermal Shock</p> <p>Moisture Resistance</p> <p>Corrosion</p> <p>RoHS</p>	<p>-65°C to +165°C</p> <p>MIL-STD-202, Method 107, Condition B</p> <p>MIL-STD-202, Method 206</p> <p>MIL-STD-202, Method 101, Condition B</p> <p>Compliant</p>													

Notice: JYEBAO reserves the right to make modifications deemed appropriate.