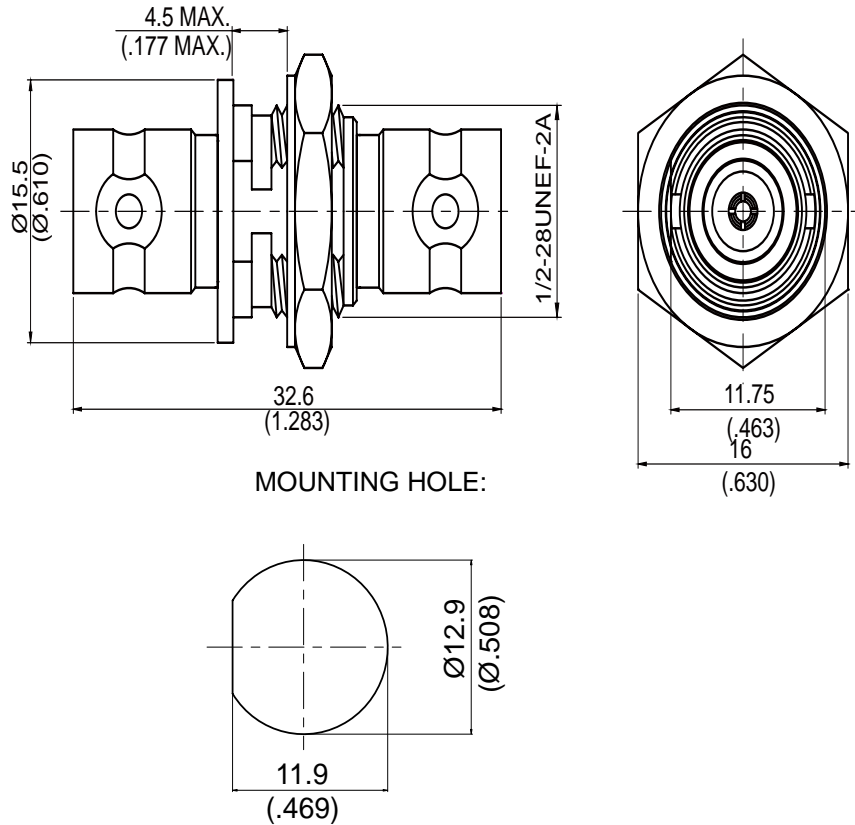


AD-B8B8-BF/W	Isolated BNC Jack to BNC Jack Bulkhead 4GHz VSWR 1.2	50Ω
--------------	---	------------



Parts	Material	Plating (Micro-inch)
Body	Brass	Tin-Zinc-Copper-Alloy 100 Over Copper 50
Contact Pin	Beryllium Copper	Gold 4 Over Nickel-Phosphorus Alloy 80 Over Copper 20
Nut Hex	Brass	Tin-Zinc-Copper-Alloy 100 Over Copper 50
Washer	Brass	Tin-Zinc-Copper-Alloy 100 Over Copper 50
Insulator	Teflon & Delrin	
Contact Body	Brass	Tin-Zinc-Copper-Alloy 100 Over Copper 50

Weight:

This part number complies with RoHS.

Notice: JYEBAO reserves the right to make modifications deemed appropriate.

AD-B8B8-BF/W	Isolated BNC Jack to BNC Jack Bulkhead 4GHz VSWR 1.2																
<table border="0"> <tr> <td data-bbox="129 342 531 394">Interface</td> <td></td> </tr> <tr> <td data-bbox="129 394 531 533">Standard</td> <td data-bbox="531 394 1482 533">MIL-STD-348B</td> </tr> </table>		Interface		Standard	MIL-STD-348B												
Interface																	
Standard	MIL-STD-348B																
<table border="0"> <tr> <td data-bbox="129 555 531 607">Electrical Data</td> <td></td> </tr> <tr> <td data-bbox="129 607 531 658">Impedance</td> <td data-bbox="531 607 1482 658">50Ω</td> </tr> <tr> <td data-bbox="129 658 531 710">Frequency Range</td> <td data-bbox="531 658 1482 710">DC to 4GHz</td> </tr> <tr> <td data-bbox="129 710 531 761">VSWR</td> <td data-bbox="531 710 1482 761">≤ 1.2 (DC To 4GHz)</td> </tr> <tr> <td data-bbox="129 761 531 813">Insertion Loss</td> <td data-bbox="531 761 1482 813">≤ 0.06 x √f(GHz) dB</td> </tr> <tr> <td data-bbox="129 813 531 864">Insulation Resistance</td> <td data-bbox="531 813 1482 864">≥ 5000MΩ</td> </tr> <tr> <td data-bbox="129 864 531 916">Dielectric Withstanding Voltage (at sea level)</td> <td data-bbox="531 864 1482 916">1500 V rms</td> </tr> <tr> <td data-bbox="129 916 531 967">Working Voltage (at sea level)</td> <td data-bbox="531 916 1482 967">500 V rms</td> </tr> </table>		Electrical Data		Impedance	50Ω	Frequency Range	DC to 4GHz	VSWR	≤ 1.2 (DC To 4GHz)	Insertion Loss	≤ 0.06 x √f(GHz) dB	Insulation Resistance	≥ 5000MΩ	Dielectric Withstanding Voltage (at sea level)	1500 V rms	Working Voltage (at sea level)	500 V rms
Electrical Data																	
Impedance	50Ω																
Frequency Range	DC to 4GHz																
VSWR	≤ 1.2 (DC To 4GHz)																
Insertion Loss	≤ 0.06 x √f(GHz) dB																
Insulation Resistance	≥ 5000MΩ																
Dielectric Withstanding Voltage (at sea level)	1500 V rms																
Working Voltage (at sea level)	500 V rms																
<table border="0"> <tr> <td data-bbox="129 1052 531 1104">Mechanical Data</td> <td></td> </tr> <tr> <td data-bbox="129 1104 531 1155">Recommended Coupling Nut Torque</td> <td data-bbox="531 1104 1482 1155">0.6 to 2.5 in-lbs</td> </tr> <tr> <td data-bbox="129 1155 531 1207">Contact Captivation-axial</td> <td data-bbox="531 1155 1482 1207">≥ 6.1 lbs</td> </tr> <tr> <td data-bbox="129 1207 531 1258">Durability (mating)</td> <td data-bbox="531 1207 1482 1258">≥ 500</td> </tr> </table>		Mechanical Data		Recommended Coupling Nut Torque	0.6 to 2.5 in-lbs	Contact Captivation-axial	≥ 6.1 lbs	Durability (mating)	≥ 500								
Mechanical Data																	
Recommended Coupling Nut Torque	0.6 to 2.5 in-lbs																
Contact Captivation-axial	≥ 6.1 lbs																
Durability (mating)	≥ 500																
<table border="0"> <tr> <td data-bbox="129 1406 531 1458">Environmental Data</td> <td></td> </tr> <tr> <td data-bbox="129 1458 531 1509">Temperature Range</td> <td data-bbox="531 1458 1482 1509">-40°C to +120°C</td> </tr> <tr> <td data-bbox="129 1509 531 1561">Thermal Shock</td> <td data-bbox="531 1509 1482 1561">MIL-STD-202, Method 107, Condition B</td> </tr> <tr> <td data-bbox="129 1561 531 1612">Moisture Resistance</td> <td data-bbox="531 1561 1482 1612">MIL-STD-202, Method 206</td> </tr> <tr> <td data-bbox="129 1612 531 1664">Corrosion</td> <td data-bbox="531 1612 1482 1664">MIL-STD-202, Method 101, Condition B</td> </tr> <tr> <td data-bbox="129 1664 531 1715">RoHS</td> <td data-bbox="531 1664 1482 1715">Compliant</td> </tr> </table>		Environmental Data		Temperature Range	-40°C to +120°C	Thermal Shock	MIL-STD-202, Method 107, Condition B	Moisture Resistance	MIL-STD-202, Method 206	Corrosion	MIL-STD-202, Method 101, Condition B	RoHS	Compliant				
Environmental Data																	
Temperature Range	-40°C to +120°C																
Thermal Shock	MIL-STD-202, Method 107, Condition B																
Moisture Resistance	MIL-STD-202, Method 206																
Corrosion	MIL-STD-202, Method 101, Condition B																
RoHS	Compliant																

Notice: JYEBAO reserves the right to make modifications deemed appropriate.