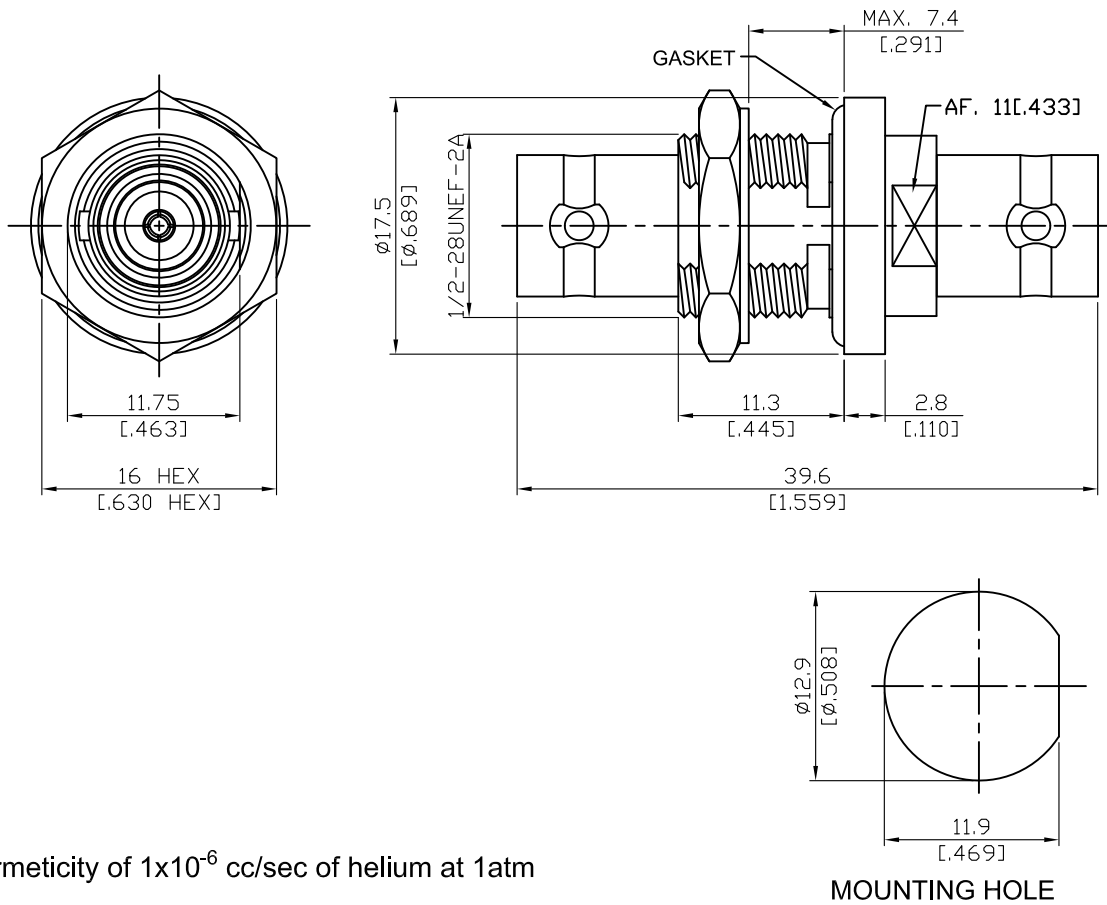


AD-B8B8-BF/HS/NI

Hermetic 1×10^{-6} cc/sec of helium at 1atm
BNC Jack to BNC Jack Bulkhead, 4GHz VSWR 1.2

50Ω



Parts	Material	Plating (Micro-inch)
Gasket	Silicone	
Hex Nut	Stainless Steel	Passivated
Washer	Stainless Steel	Passivated
Contact Pin	Beryllium Copper	Gold 4 Over Nickel-Phosphorus Alloy 80 Over Copper 20
Insulator	Teflon	
Body	Brass	Nickel 200 Over Copper 50

AD-B8B8-BF/HS/NI	Hermetic 1*10 ⁻⁶ cc/sec of helium at 1atm BNC Jack to BNC Jack Bulkhead, 4GHz VSWR 1.2																
<table border="0"> <tr> <td data-bbox="129 344 531 394">Interface</td> <td></td> </tr> <tr> <td data-bbox="129 405 531 439">Standard</td> <td data-bbox="794 405 1011 439">MIL-STD-348B</td> </tr> </table>		Interface		Standard	MIL-STD-348B												
Interface																	
Standard	MIL-STD-348B																
<table border="0"> <tr> <td data-bbox="129 562 531 611">Electrical Data</td> <td></td> </tr> <tr> <td data-bbox="129 618 531 651">Impedance</td> <td data-bbox="794 618 858 651">50Ω</td> </tr> <tr> <td data-bbox="129 663 531 696">Frequency Range</td> <td data-bbox="794 663 970 696">DC to 4GHz</td> </tr> <tr> <td data-bbox="129 707 531 741">VSWR</td> <td data-bbox="794 707 1086 741">≤ 1.2 (DC To 4GHz)</td> </tr> <tr> <td data-bbox="129 752 531 786">Insertion Loss</td> <td data-bbox="794 752 1086 786">≤ 0.06 x √f(GHz) dB</td> </tr> <tr> <td data-bbox="129 797 531 831">Insulation Resistance</td> <td data-bbox="794 797 954 831">≥ 5000MΩ</td> </tr> <tr> <td data-bbox="129 842 531 875">Dielectric Withstanding Voltage (at sea level)</td> <td data-bbox="794 842 962 875">1500 V rms</td> </tr> <tr> <td data-bbox="129 887 531 920">Working Voltage (at sea level)</td> <td data-bbox="794 887 946 920">500 V rms</td> </tr> </table>		Electrical Data		Impedance	50Ω	Frequency Range	DC to 4GHz	VSWR	≤ 1.2 (DC To 4GHz)	Insertion Loss	≤ 0.06 x √f(GHz) dB	Insulation Resistance	≥ 5000MΩ	Dielectric Withstanding Voltage (at sea level)	1500 V rms	Working Voltage (at sea level)	500 V rms
Electrical Data																	
Impedance	50Ω																
Frequency Range	DC to 4GHz																
VSWR	≤ 1.2 (DC To 4GHz)																
Insertion Loss	≤ 0.06 x √f(GHz) dB																
Insulation Resistance	≥ 5000MΩ																
Dielectric Withstanding Voltage (at sea level)	1500 V rms																
Working Voltage (at sea level)	500 V rms																
<table border="0"> <tr> <td data-bbox="129 1059 531 1108">Mechanical Data</td> <td></td> </tr> <tr> <td data-bbox="129 1115 531 1149">Recommended Coupling Nut Torque</td> <td data-bbox="794 1115 1018 1149">0.6 to 2.5 in-lbs</td> </tr> <tr> <td data-bbox="129 1160 531 1193">Contact Captivation-axial</td> <td data-bbox="794 1160 927 1193">≥ 6.1 lbs</td> </tr> <tr> <td data-bbox="129 1205 531 1238">Durability (mating)</td> <td data-bbox="794 1205 882 1238">≥ 500</td> </tr> </table>		Mechanical Data		Recommended Coupling Nut Torque	0.6 to 2.5 in-lbs	Contact Captivation-axial	≥ 6.1 lbs	Durability (mating)	≥ 500								
Mechanical Data																	
Recommended Coupling Nut Torque	0.6 to 2.5 in-lbs																
Contact Captivation-axial	≥ 6.1 lbs																
Durability (mating)	≥ 500																
<table border="0"> <tr> <td data-bbox="129 1413 531 1462">Environmental Data</td> <td></td> </tr> <tr> <td data-bbox="129 1469 531 1503">Temperature Range</td> <td data-bbox="794 1469 1034 1503">-65°C to +165°C</td> </tr> <tr> <td data-bbox="129 1514 531 1547">Thermal Shock</td> <td data-bbox="794 1514 1362 1547">MIL-STD-202, Method 107, Condition B</td> </tr> <tr> <td data-bbox="129 1559 531 1592">Moisture Resistance</td> <td data-bbox="794 1559 1177 1592">MIL-STD-202, Method 206</td> </tr> <tr> <td data-bbox="129 1603 531 1637">Corrosion</td> <td data-bbox="794 1603 1362 1637">MIL-STD-202, Method 101, Condition B</td> </tr> <tr> <td data-bbox="129 1648 531 1682">RoHS</td> <td data-bbox="794 1648 946 1682">Compliant</td> </tr> </table>		Environmental Data		Temperature Range	-65°C to +165°C	Thermal Shock	MIL-STD-202, Method 107, Condition B	Moisture Resistance	MIL-STD-202, Method 206	Corrosion	MIL-STD-202, Method 101, Condition B	RoHS	Compliant				
Environmental Data																	
Temperature Range	-65°C to +165°C																
Thermal Shock	MIL-STD-202, Method 107, Condition B																
Moisture Resistance	MIL-STD-202, Method 206																
Corrosion	MIL-STD-202, Method 101, Condition B																
RoHS	Compliant																

Notice: JYEBAO reserves the right to make modifications deemed appropriate.