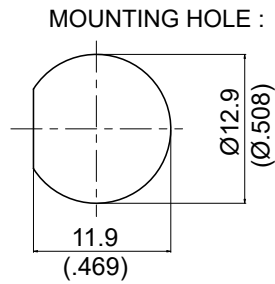
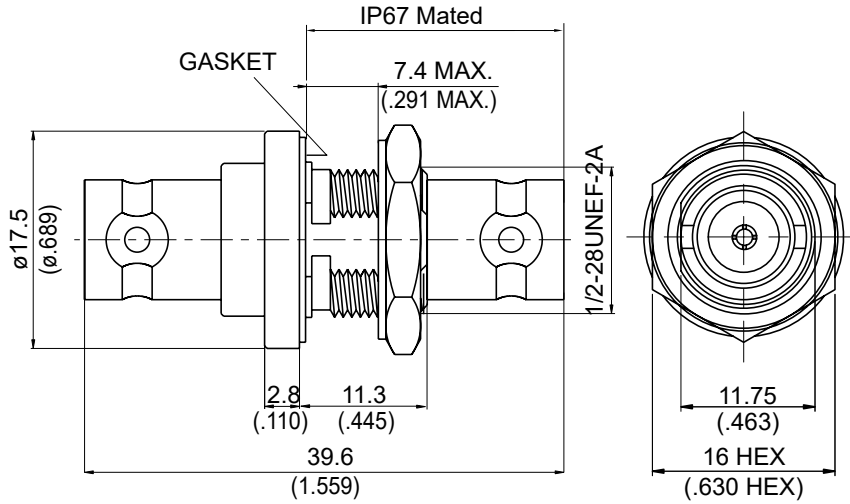


AD-B8B8-BF-75

BNC Jack to BNC Jack Bulkhead
IP67 Mated; 3GHz VSWR 1.2

75Ω



Parts	Material	Plating (Micro-inch)
Contact Pin	Phosphor Bronze	Gold 4 Over Nickel-Phosphorus Alloy 80 Over Copper 20
Nut Hex	Brass	Tin-Zinc-Copper-Alloy 100 Over Copper 50
Washer	Brass	Tin-Zinc-Copper-Alloy 100 Over Copper 50
Gasket	Silicon	
Insulator	Teflon	
Body	Brass	Tin-Zinc-Copper-Alloy 100 Over Copper 50

Weight: 20.86 g

This part number complies with RoHS.

Notice: JYEBAO reserves the right to make modifications deemed appropriate.

AD-B8B8-BF-75	BNC Jack to BNC Jack Bulkhead IP67 Mated, 3GHz VSWR 1.2	75Ω																								
<table border="0"> <tr> <td data-bbox="113 324 531 394"> <div style="border: 1px solid black; padding: 2px;">Interface</div> </td> <td colspan="2"></td> </tr> <tr> <td data-bbox="113 394 531 539">Standard</td> <td colspan="2" data-bbox="531 394 1481 539">MIL-STD-348B</td> </tr> </table>			<div style="border: 1px solid black; padding: 2px;">Interface</div>			Standard	MIL-STD-348B																			
<div style="border: 1px solid black; padding: 2px;">Interface</div>																										
Standard	MIL-STD-348B																									
<table border="0"> <tr> <td data-bbox="113 539 531 609"> <div style="border: 1px solid black; padding: 2px;">Electrical Data</div> </td> <td colspan="2"></td> </tr> <tr> <td data-bbox="113 609 531 656">Impedance</td> <td colspan="2" data-bbox="531 609 1481 656">75Ω</td> </tr> <tr> <td data-bbox="113 656 531 703">Frequency Range</td> <td colspan="2" data-bbox="531 656 1481 703">DC to 3GHz</td> </tr> <tr> <td data-bbox="113 703 531 750">VSWR</td> <td colspan="2" data-bbox="531 703 1481 750">≤ 1.2 (DC To 3GHz)</td> </tr> <tr> <td data-bbox="113 750 531 797">Insertion Loss</td> <td colspan="2" data-bbox="531 750 1481 797">≤ 0.06 x √f(GHz) dB</td> </tr> <tr> <td data-bbox="113 797 531 844">Insulation Resistance</td> <td colspan="2" data-bbox="531 797 1481 844">≥ 5000MΩ</td> </tr> <tr> <td data-bbox="113 844 531 891">Dielectric Withstanding Voltage (at sea level)</td> <td colspan="2" data-bbox="531 844 1481 891">1500 V rms</td> </tr> <tr> <td data-bbox="113 891 531 938">Working Voltage (at sea level)</td> <td colspan="2" data-bbox="531 891 1481 938">500 V rms</td> </tr> </table>			<div style="border: 1px solid black; padding: 2px;">Electrical Data</div>			Impedance	75Ω		Frequency Range	DC to 3GHz		VSWR	≤ 1.2 (DC To 3GHz)		Insertion Loss	≤ 0.06 x √f(GHz) dB		Insulation Resistance	≥ 5000MΩ		Dielectric Withstanding Voltage (at sea level)	1500 V rms		Working Voltage (at sea level)	500 V rms	
<div style="border: 1px solid black; padding: 2px;">Electrical Data</div>																										
Impedance	75Ω																									
Frequency Range	DC to 3GHz																									
VSWR	≤ 1.2 (DC To 3GHz)																									
Insertion Loss	≤ 0.06 x √f(GHz) dB																									
Insulation Resistance	≥ 5000MΩ																									
Dielectric Withstanding Voltage (at sea level)	1500 V rms																									
Working Voltage (at sea level)	500 V rms																									
<table border="0"> <tr> <td data-bbox="113 1037 531 1106"> <div style="border: 1px solid black; padding: 2px;">Mechanical Data</div> </td> <td colspan="2"></td> </tr> <tr> <td data-bbox="113 1106 531 1153">Recommended Coupling Nut Torque</td> <td colspan="2" data-bbox="531 1106 1481 1153">0.6 to 2.5 in-lbs</td> </tr> <tr> <td data-bbox="113 1153 531 1200">Contact Captivation-axial</td> <td colspan="2" data-bbox="531 1153 1481 1200">≥ 6.1 lbs</td> </tr> <tr> <td data-bbox="113 1200 531 1247">Durability (mating)</td> <td colspan="2" data-bbox="531 1200 1481 1247">≥ 500</td> </tr> </table>			<div style="border: 1px solid black; padding: 2px;">Mechanical Data</div>			Recommended Coupling Nut Torque	0.6 to 2.5 in-lbs		Contact Captivation-axial	≥ 6.1 lbs		Durability (mating)	≥ 500													
<div style="border: 1px solid black; padding: 2px;">Mechanical Data</div>																										
Recommended Coupling Nut Torque	0.6 to 2.5 in-lbs																									
Contact Captivation-axial	≥ 6.1 lbs																									
Durability (mating)	≥ 500																									
<table border="0"> <tr> <td data-bbox="113 1391 531 1460"> <div style="border: 1px solid black; padding: 2px;">Environmental Data</div> </td> <td colspan="2"></td> </tr> <tr> <td data-bbox="113 1460 531 1507">Temperature Range</td> <td colspan="2" data-bbox="531 1460 1481 1507">-65°C to +165°C</td> </tr> <tr> <td data-bbox="113 1507 531 1554">Thermal Shock</td> <td colspan="2" data-bbox="531 1507 1481 1554">MIL-STD-202, Method 107, Condition B</td> </tr> <tr> <td data-bbox="113 1554 531 1601">Moisture Resistance</td> <td colspan="2" data-bbox="531 1554 1481 1601">MIL-STD-202, Method 206</td> </tr> <tr> <td data-bbox="113 1601 531 1648">Corrosion</td> <td colspan="2" data-bbox="531 1601 1481 1648">MIL-STD-202, Method 101, Condition B</td> </tr> <tr> <td data-bbox="113 1648 531 1695">RoHS</td> <td colspan="2" data-bbox="531 1648 1481 1695">Compliant</td> </tr> </table>			<div style="border: 1px solid black; padding: 2px;">Environmental Data</div>			Temperature Range	-65°C to +165°C		Thermal Shock	MIL-STD-202, Method 107, Condition B		Moisture Resistance	MIL-STD-202, Method 206		Corrosion	MIL-STD-202, Method 101, Condition B		RoHS	Compliant							
<div style="border: 1px solid black; padding: 2px;">Environmental Data</div>																										
Temperature Range	-65°C to +165°C																									
Thermal Shock	MIL-STD-202, Method 107, Condition B																									
Moisture Resistance	MIL-STD-202, Method 206																									
Corrosion	MIL-STD-202, Method 101, Condition B																									
RoHS	Compliant																									

Notice: JYEBAO reserves the right to make modifications deemed appropriate.