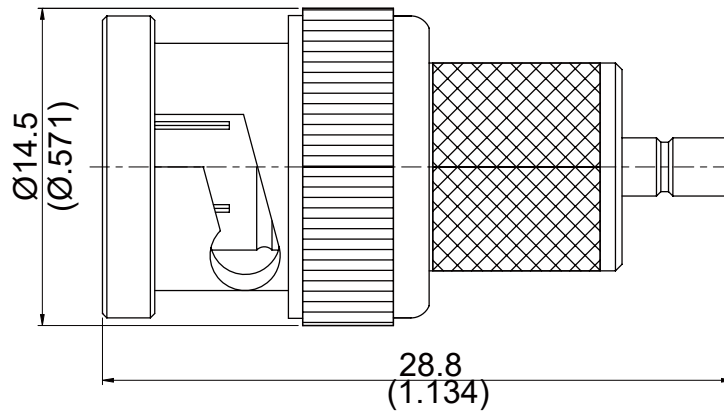


AD-B3SB8

BNC Plug To SSMB Jack
4GHz VSWR 1.2

50Ω



Parts	Material	Plating (Micro-inch)
Gasket	Silicone	
Washer	Brass	Tin-Zinc-Copper-Alloy 100 Over Copper 50
Spring	SK5	Tin-Zinc-Copper-Alloy 100 Over Copper 50
Insulator	Teflon	
Body	Brass	Tin-Zinc-Copper-Alloy 100 Over Copper 50
Coupling Nut	Brass	Tin-Zinc-Copper-Alloy 100 Over Copper 50

Weight:

This part number complies with RoHS.

Notice: JYEBAO reserves the right to make modifications deemed appropriate.

AD-B3SB8		BNC Plug To SSMB Jack 4GHz VSWR 1.2	
Interface		BNC	SSMB
Standard		MIL-STD-348B	MIL-STD-348B
Electrical Data			
Impedance	50Ω		
Frequency Range	DC To 4GHz		
VSWR	≤ 1.2 (DC To 4GHz)		
Insertion Loss	≤ 0.05 x √f(GHz) dB		
Insulation Resistance	≥ 5000MΩ		
Dielectric Withstanding Voltage (at sea level)	500 V rms		
Working Voltage (at sea level)	275 V rms		
Mechanical Data			
	BNC	SSMB	
Recommended Coupling Nut Torque	0.6 to 2.5 in-lbs	NA	
Coupling Nut Retention Force	≥ 101.2 lbs	NA	
Engagement Force	NA	1.8 to 6.1 lbs	
Disengagement Force	NA	1.8 to 6.1 lbs	
Contact Captivation-axial	≥ 6.1 lbs	≥ 1.8 lbs	
Durability (mating)	≥ 500	≥ 500	
Environmental Data			
Temperature Range	-65°C to +165°C		
Thermal Shock	MIL-STD-202, Method 107, Condition B		
Moisture Resistance	MIL-STD-202, Method 206		
Corrosion	MIL-STD-202, Method 101, Condition B		
RoHS	Compliant		

Notice: JYEBAO reserves the right to make modifications deemed appropriate.