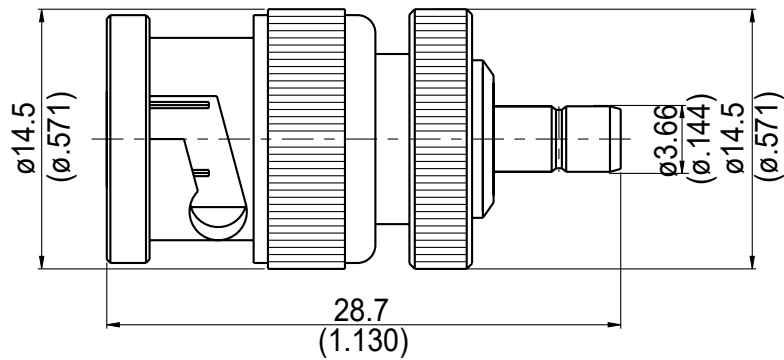


AD-B3S8

BNC Plug To SMB Jack
4GHz VSWR 1.2



Parts	Material	Plating (Micro-inch)
Body(SMB)	Brass	Gold 4 Over Nickel-Phosphorus Alloy 80 Over Copper 20
Contact Pin	Brass	Gold 4 Over Nickel-Phosphorus Alloy 80 Over Copper 20
Gasket	Silicon	
Spring	SK5	Tin-Zinc-Copper-Alloy 100 Over Copper 50
Washer	Brass	Tin-Zinc-Copper-Alloy 100 Over Copper 50
Insulator	Teflon	
Body(BNC)	Brass	Tin-Zinc-Copper-Alloy 100 Over Copper 50
Coupling Nut(BNC)	Brass	Tin-Zinc-Copper-Alloy 100 Over Copper 50

Weight: 13.6 g

This part number complies with RoHS.

Notice: JYEBAO reserves the right to make modifications deemed appropriate.

AD-B3S8		BNC Plug To SMB Jack 4GHz VSWR 1.2	
Interface		BNC	SMB
Standard		MIL-STD-348B	MIL-STD-348B
Mechanically Compatible With			SMS
Electrical Data			
Impedance		50Ω	
Frequency Range		DC To 4GHz	
VSWR		≤ 1.2 (DC To 4GHz)	
Insertion Loss		≤ 0.05 x √f(GHz) dB	
Insulation Resistance		≥ 5000MΩ	
Dielectric Withstanding Voltage (at sea level)		1000 V rms	
Working Voltage (at sea level)		335 V rms	
Mechanical Data		BNC	SMB
Recommended Coupling Nut Torque		0.6 to 2.5 in-lbs	NA
Coupling Nut Retention Force		≥ 101.2 lbs	NA
Engagement Force		NA	1.8 to 14.2 lbs
Disengagement Force		NA	1.8 to 14.2 lbs
Contact Captivation-axial		≥ 6.1 lbs	≥ 4 lbs
Durability (mating)		≥ 500	≥ 500
Environmental Data			
Temperature Range		-65°C to +165°C	
Thermal Shock		MIL-STD-202, Method 107, Condition B	
Moisture Resistance		MIL-STD-202, Method 206	
Corrosion		MIL-STD-202, Method 101, Condition B	
RoHS		Compliant	

Notice: JYEBAO reserves the right to make modifications deemed appropriate.

AD-B3S8

