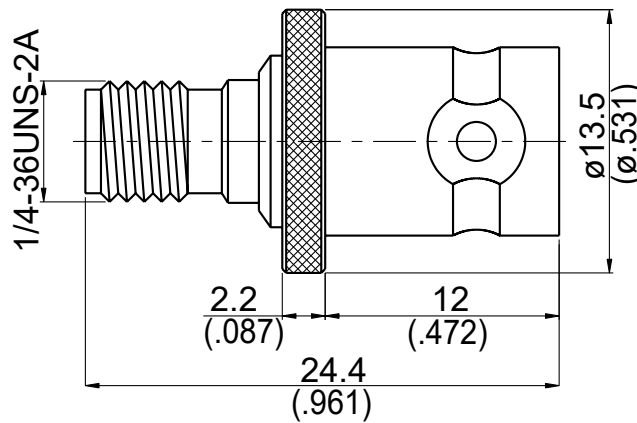


AD-A9B8

SMA Reverse Polarity Jack To BNC Jack
4GHz VSWR 1.2

50Ω



Parts	Material	Plating (Micro-inch)
Contact Pin	Beryllium Copper	Gold 4 Over Nickel-Phosphorus Alloy 80 Over Copper 20
Insulator	Teflon	
Body(SMA)	Brass	Gold 4 Over Nickel-Phosphorus Alloy 80 Over Copper 20
Body(N)	Brass	Tin-Zinc-Copper-Alloy 100 Over Copper 50

Weight: 7.13 g

This part number complies with RoHS.

Notice: JYEBAO reserves the right to make modifications deemed appropriate.

AD-A9B8	SMA Reverse Polarity Jack To BNC Jack 4GHz VSWR 1.2																
<div data-bbox="129 344 531 394" style="border: 1px solid black; padding: 2px;">Interface</div> <p>SMA Reverse Polarity Jack Side: Per JYEBAO SMA Reverse Polarity Jack derived from MIL-STD-348B.</p> <p>BNC Standard Polarity Jack Side: Per MIL-STD-348B</p>																	
<div data-bbox="129 792 531 842" style="border: 1px solid black; padding: 2px;">Electrical Data</div> <table border="0" style="width: 100%;"> <tr> <td style="width: 50%;">Impedance</td> <td style="width: 50%;">50Ω</td> </tr> <tr> <td>Frequency Range</td> <td>DC To 4GHz</td> </tr> <tr> <td>VSWR</td> <td>≤ 1.2 (DC To 4GHz)</td> </tr> <tr> <td>Insertion Loss</td> <td>≤ 0.05 x √f(GHz) dB</td> </tr> <tr> <td>Insulation Resistance</td> <td>≥ 5000MΩ</td> </tr> <tr> <td>Dielectric Withstanding Voltage (at sea level)</td> <td>1500 V rms</td> </tr> <tr> <td>Working Voltage (at sea level)</td> <td>500 V rms</td> </tr> </table>			Impedance	50Ω	Frequency Range	DC To 4GHz	VSWR	≤ 1.2 (DC To 4GHz)	Insertion Loss	≤ 0.05 x √f(GHz) dB	Insulation Resistance	≥ 5000MΩ	Dielectric Withstanding Voltage (at sea level)	1500 V rms	Working Voltage (at sea level)	500 V rms	
Impedance	50Ω																
Frequency Range	DC To 4GHz																
VSWR	≤ 1.2 (DC To 4GHz)																
Insertion Loss	≤ 0.05 x √f(GHz) dB																
Insulation Resistance	≥ 5000MΩ																
Dielectric Withstanding Voltage (at sea level)	1500 V rms																
Working Voltage (at sea level)	500 V rms																
<div data-bbox="129 1285 531 1335" style="border: 1px solid black; padding: 2px;">Mechanical Date</div> <table border="1" style="width: 100%; border-collapse: collapse;"> <thead> <tr> <th style="width: 50%;"></th> <th style="width: 25%;">SMA</th> <th style="width: 25%;">BNC</th> </tr> </thead> <tbody> <tr> <td>Recommended Coupling Nut Torque</td> <td style="text-align: center;">4 in-lbs</td> <td style="text-align: center;">0.6 to 2.5 in-lbs</td> </tr> <tr> <td>Coupling Proof Torque</td> <td style="text-align: center;">5.3 in-lbs</td> <td style="text-align: center;">NA</td> </tr> <tr> <td>Contact Captivation-axial</td> <td style="text-align: center;">≥ 6.1 lbs</td> <td style="text-align: center;">≥ 6.1 lbs</td> </tr> <tr> <td>Durability (mating)</td> <td style="text-align: center;">≥ 100</td> <td style="text-align: center;">≥ 500</td> </tr> </tbody> </table>				SMA	BNC	Recommended Coupling Nut Torque	4 in-lbs	0.6 to 2.5 in-lbs	Coupling Proof Torque	5.3 in-lbs	NA	Contact Captivation-axial	≥ 6.1 lbs	≥ 6.1 lbs	Durability (mating)	≥ 100	≥ 500
	SMA	BNC															
Recommended Coupling Nut Torque	4 in-lbs	0.6 to 2.5 in-lbs															
Coupling Proof Torque	5.3 in-lbs	NA															
Contact Captivation-axial	≥ 6.1 lbs	≥ 6.1 lbs															
Durability (mating)	≥ 100	≥ 500															
<div data-bbox="129 1688 531 1738" style="border: 1px solid black; padding: 2px;">Environmental Data</div> <table border="0" style="width: 100%;"> <tr> <td style="width: 50%;">Temperature Range</td> <td style="width: 50%;">-65°C to +165°C</td> </tr> <tr> <td>Thermal Shock</td> <td>MIL-STD-202, Method</td> </tr> <tr> <td>Moisture Resistance</td> <td>MIL-STD-202, Method</td> </tr> <tr> <td>Corrosion</td> <td>MIL-STD-202, Method</td> </tr> <tr> <td>RoHS</td> <td>Compliant</td> </tr> </table>			Temperature Range	-65°C to +165°C	Thermal Shock	MIL-STD-202, Method	Moisture Resistance	MIL-STD-202, Method	Corrosion	MIL-STD-202, Method	RoHS	Compliant					
Temperature Range	-65°C to +165°C																
Thermal Shock	MIL-STD-202, Method																
Moisture Resistance	MIL-STD-202, Method																
Corrosion	MIL-STD-202, Method																
RoHS	Compliant																