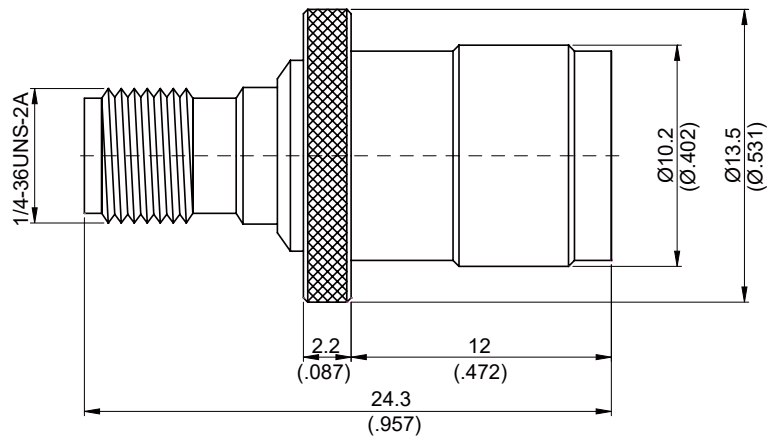


AD-A8TQ9

SMA Jack To Snap On TNC Reverse Polarity Jack 50Ω
3GHz VSWR 1.2



Note: Reverse polarity TNC SNAP ON jack without locking mechanism

Parts	Material	Plating (Micro-inch)
Contact Pin	Phosphor Bronze	Gold 4 Over Nickel-Phosphorus Alloy 80 Over Copper 20
Insulator	Teflon	
Body(TNC)	Brass	Tin-Zinc-Copper-Alloy 100 Over Copper 50
Body(SMA)	Brass	Gold 4 Over Nickel-Phosphorus Alloy 80 Over Copper 20

Weight: 7.04 g

This part number complies with RoHS.

Notice: JYEBAO reserves the right to make modifications deemed appropriate.

AD-A8TQ9		SMA Jack To Snap On TNC Reverse Polarity Jack 3GHz VSWR 1.2	
Interface		SMA Jack Screw Side	TNC Reverse Polarity Jack Snap On Side
Standard		MIL-STD-348B	Per JYEBAO Snap On TNC Reverse Polarity Jack
Mechanically compatible with		2.92 & 3.5	
Electrical Data			
Impedance		50Ω	
Frequency Range		DC To 3GHz	
VSWR		≤ 1.2 (DC To 3GHz)	
Insertion Loss		≤ 0.05 x √f(GHz) dB	
Insulation Resistance		≥ 5000MΩ	
Dielectric Withstanding Voltage (at sea level)		1500 V rms	
Working Voltage (at sea level)		500 V rms	
Mechanical Data			
		SMA	TNC
Recommended Coupling Nut Torque		4 in-lbs	NA (Snap On)
Coupling Proof Torque		5.3 in-lbs	NA (Snap On)
Contact Captivation-axial		≥ 6.1 lbs	≥ 6.1 lbs
Durability (mating)		≥ 100	≥ 500
Environmental Data			
Temperature Range		-65°C to +165°C	
Thermal Shock		MIL-STD-202, Method	
Moisture Resistance		MIL-STD-202, Method	
Corrosion		MIL-STD-202, Method	
RoHS		Compliant	

Notice: JYEBAO reserves the right to make modifications deemed appropriate.