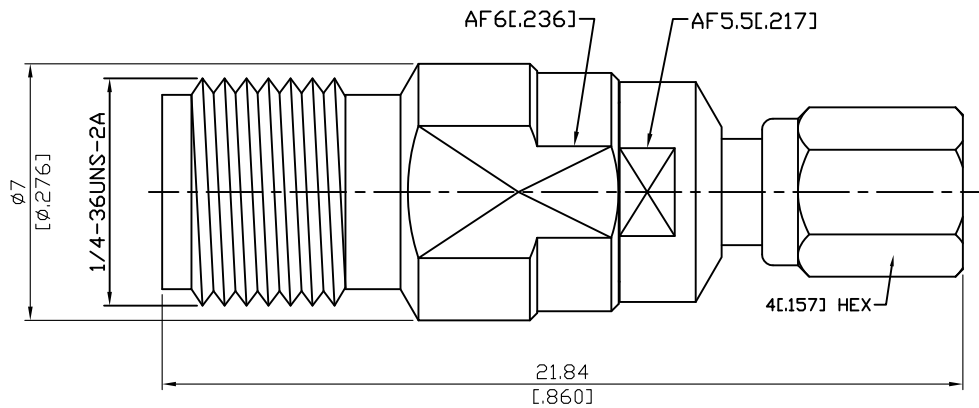


AD-A8SS3

SMA Jack To SSMC Plug  
12.4GHz VSWR 1.2

50Ω



Parts	Material	Plating ( Micro-inch )
Contact Pin	Beryllium Copper	Gold 4 Over Nickel-Phosphorus Alloy 80 Over Copper 20
Insulator	Teflon	
Body	Brass	Gold 4 Over Nickel-Phosphorus Alloy 80 Over Copper 20
Coupling Nut	Brass	Gold 4 Over Nickel-Phosphorus Alloy 80 Over Copper 20

This part number complies with RoHS.

Notice: JYEBAO reserves the right to make modifications deemed appropriate.

AD-A8SS3	SMA Jack To SSMC Plug 12.4GHz VSWR 1.2																						
<div style="border: 1px solid black; padding: 2px; margin-bottom: 5px;">Interface</div> Standard Mechanically Compatible With	<table border="1" style="width: 100%; border-collapse: collapse;"> <thead> <tr> <th style="width: 50%;">SMA</th> <th style="width: 50%;">SSMC</th> </tr> </thead> <tbody> <tr> <td>MIL-STD-348B</td> <td>MIL-STD-348B</td> </tr> <tr> <td>2.92 &amp; 3.5</td> <td></td> </tr> </tbody> </table>	SMA	SSMC	MIL-STD-348B	MIL-STD-348B	2.92 & 3.5																	
SMA	SSMC																						
MIL-STD-348B	MIL-STD-348B																						
2.92 & 3.5																							
<div style="border: 1px solid black; padding: 2px; margin-bottom: 5px;">Electrical Data</div> Impedance Frequency Range VSWR Insertion Loss Insulation Resistance Dielectric Withstanding Voltage (at sea level) Working Voltage (at sea level)	<table style="width: 100%;"> <tbody> <tr> <td style="width: 50%;">Impedance</td> <td colspan="2">50Ω</td> </tr> <tr> <td>Frequency Range</td> <td colspan="2">DC To 12.4GHz</td> </tr> <tr> <td>VSWR</td> <td colspan="2">≤ 1.2 (DC To 12.4GHz)</td> </tr> <tr> <td>Insertion Loss</td> <td colspan="2">≤ 0.1 x √f(GHz) dB</td> </tr> <tr> <td>Insulation Resistance</td> <td colspan="2">≥ 5000MΩ</td> </tr> <tr> <td>Dielectric Withstanding Voltage (at sea level)</td> <td colspan="2">500 V rms</td> </tr> <tr> <td>Working Voltage (at sea level)</td> <td colspan="2">170 V rms</td> </tr> </tbody> </table>		Impedance	50Ω		Frequency Range	DC To 12.4GHz		VSWR	≤ 1.2 (DC To 12.4GHz)		Insertion Loss	≤ 0.1 x √f(GHz) dB		Insulation Resistance	≥ 5000MΩ		Dielectric Withstanding Voltage (at sea level)	500 V rms		Working Voltage (at sea level)	170 V rms	
Impedance	50Ω																						
Frequency Range	DC To 12.4GHz																						
VSWR	≤ 1.2 (DC To 12.4GHz)																						
Insertion Loss	≤ 0.1 x √f(GHz) dB																						
Insulation Resistance	≥ 5000MΩ																						
Dielectric Withstanding Voltage (at sea level)	500 V rms																						
Working Voltage (at sea level)	170 V rms																						
<div style="border: 1px solid black; padding: 2px; margin-bottom: 5px;">Mechanical Data</div> Recommended Coupling Nut Torque Coupling Proof Torque Coupling Nut Retention Force Contact Captivation-axial Durability (mating)	<table border="1" style="width: 100%; border-collapse: collapse;"> <thead> <tr> <th style="width: 50%;">SMA</th> <th style="width: 50%;">SSMC</th> </tr> </thead> <tbody> <tr> <td>4 in-lbs</td> <td>1.8 to 2 in-lbs</td> </tr> <tr> <td>5.3 in-lbs</td> <td>2.6 in-lbs</td> </tr> <tr> <td>NA</td> <td>≥ 22.5 lbs</td> </tr> <tr> <td>≥ 6.1 lbs</td> <td>≥ 1.8 lbs</td> </tr> <tr> <td>≥ 100</td> <td>≥ 500</td> </tr> </tbody> </table>		SMA	SSMC	4 in-lbs	1.8 to 2 in-lbs	5.3 in-lbs	2.6 in-lbs	NA	≥ 22.5 lbs	≥ 6.1 lbs	≥ 1.8 lbs	≥ 100	≥ 500									
SMA	SSMC																						
4 in-lbs	1.8 to 2 in-lbs																						
5.3 in-lbs	2.6 in-lbs																						
NA	≥ 22.5 lbs																						
≥ 6.1 lbs	≥ 1.8 lbs																						
≥ 100	≥ 500																						
<div style="border: 1px solid black; padding: 2px; margin-bottom: 5px;">Environmental Data</div> Temperature Range Thermal Shock Moisture Resistance Corrosion RoHS	<table style="width: 100%;"> <tbody> <tr> <td style="width: 50%;">Temperature Range</td> <td colspan="2">-65°C to +165°C</td> </tr> <tr> <td>Thermal Shock</td> <td colspan="2">MIL-STD-202, Method 107, Condition B</td> </tr> <tr> <td>Moisture Resistance</td> <td colspan="2">MIL-STD-202, Method 206</td> </tr> <tr> <td>Corrosion</td> <td colspan="2">MIL-STD-202, Method 101, Condition B</td> </tr> <tr> <td>RoHS</td> <td colspan="2">Compliant</td> </tr> </tbody> </table>		Temperature Range	-65°C to +165°C		Thermal Shock	MIL-STD-202, Method 107, Condition B		Moisture Resistance	MIL-STD-202, Method 206		Corrosion	MIL-STD-202, Method 101, Condition B		RoHS	Compliant							
Temperature Range	-65°C to +165°C																						
Thermal Shock	MIL-STD-202, Method 107, Condition B																						
Moisture Resistance	MIL-STD-202, Method 206																						
Corrosion	MIL-STD-202, Method 101, Condition B																						
RoHS	Compliant																						

Notice: JYEBAO reserves the right to make modifications deemed appropriate.