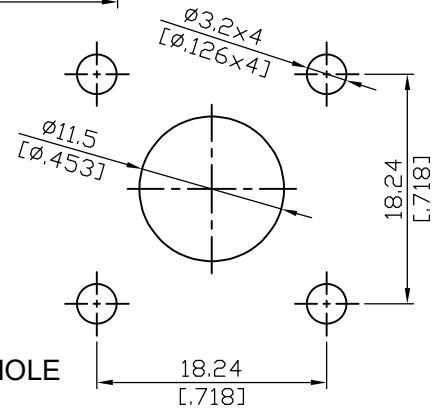
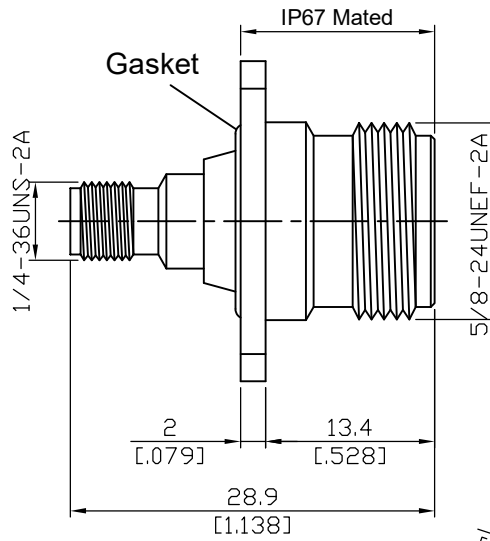
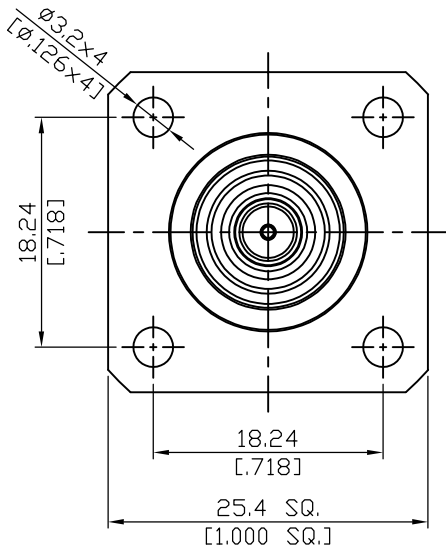


AD-A8N8-P4/HDPE

SMA Jack To N Jack 25.4SQ. 4 Hole Flange; IP67 Mated;
Radiation Resistant; 7GHz VSWR 1.25

50Ω



MOUNTING HOLE

Parts	Material	Plating (Micro-inch)
Body (N)	Brass	Tin-Zinc-Copper-Alloy 100 Over Copper 50
Body (SMA)	Brass	Gold 4 Over Nickel-Phosphorus Alloy 80 Over Copper 20
Insulator	High Density Polyethylene	
Contact Pin	Beryllium Copper	Gold 4 Over Nickel-Phosphorus Alloy 80 Over Copper 20
Gasket	Silicone	

This part number complies with RoHS.

Notice: JYEBAO reserves the right to make modifications deemed appropriate.

AD-A8N8-P4/HDPE	SMA Jack To N Jack 25.4SQ. 4 Hole Flange; IP67 Mated; Radiation Resistant; 7GHz VSWR 1.25																
<div style="border: 1px solid black; padding: 2px;">Interface</div> <p>Standard Mechanically compatible with</p>	<table border="1"> <thead> <tr> <th>SMA</th> <th>N</th> </tr> </thead> <tbody> <tr> <td>MIL-STD-348B</td> <td>MIL-STD-348B</td> </tr> <tr> <td>2.92 & 3.5</td> <td></td> </tr> </tbody> </table>	SMA	N	MIL-STD-348B	MIL-STD-348B	2.92 & 3.5											
SMA	N																
MIL-STD-348B	MIL-STD-348B																
2.92 & 3.5																	
<div style="border: 1px solid black; padding: 2px;">Electrical Data</div> <p>Impedance 50Ω Frequency Range DC To 7GHz VSWR ≤ 1.25 (DC To 7GHz) Insertion Loss ≤ 0.04 x √f(GHz) dB Insulation Resistance ≥ 5000MΩ Dielectric Withstanding Voltage (at sea level) 1500 V rms Working Voltage (at sea level) 500 V rms</p>																	
<div style="border: 1px solid black; padding: 2px;">Mechanical Data</div> <table border="1"> <thead> <tr> <th></th> <th>SMA</th> <th>N</th> </tr> </thead> <tbody> <tr> <td>Recommended Coupling Nut Torque</td> <td>4 in-lbs</td> <td>6 to 10 in-lbs</td> </tr> <tr> <td>Coupling Proof Torque</td> <td>5.3 in-lbs</td> <td>15 in-lbs</td> </tr> <tr> <td>Contact Captivation-axial</td> <td>≥ 6.1 lbs</td> <td>≥ 6.3 lbs</td> </tr> <tr> <td>Durability (mating)</td> <td>≥ 100</td> <td>≥ 500</td> </tr> </tbody> </table>				SMA	N	Recommended Coupling Nut Torque	4 in-lbs	6 to 10 in-lbs	Coupling Proof Torque	5.3 in-lbs	15 in-lbs	Contact Captivation-axial	≥ 6.1 lbs	≥ 6.3 lbs	Durability (mating)	≥ 100	≥ 500
	SMA	N															
Recommended Coupling Nut Torque	4 in-lbs	6 to 10 in-lbs															
Coupling Proof Torque	5.3 in-lbs	15 in-lbs															
Contact Captivation-axial	≥ 6.1 lbs	≥ 6.3 lbs															
Durability (mating)	≥ 100	≥ 500															
<div style="border: 1px solid black; padding: 2px;">Environmental Data</div> <p>Temperature Range -40°C to +80°C Thermal Shock MIL-STD-202, Method 107, Condition B Moisture Resistance MIL-STD-202, Method 206 Corrosion MIL-STD-202, Method 101, Condition B RoHS Compliant</p>																	

Notice: JYEBAO reserves the right to make modifications deemed appropriate.