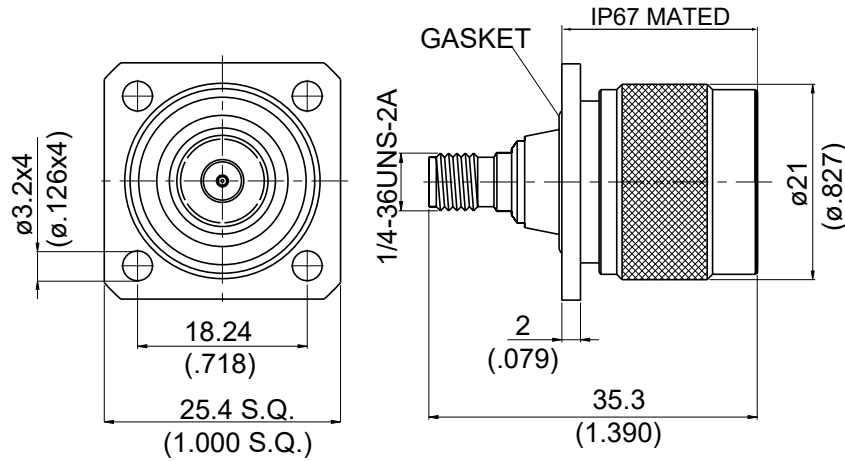
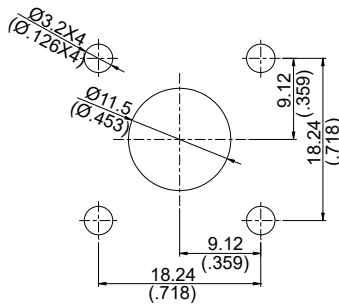


AD-A8N3-P4

**SMA Jack To N Plug ,IP67 Mated,
25.4SQ 4 Hole Flange, 11GHz VSWR 1.15**



MOUNTING HOLE :



Parts	Material	Plating (Micro-inch)
Contact Pin	Beryllium Copper	Gold 4 Over Nickel-Phosphorus Alloy 80 Over Copper 20
Insulator	Teflon	
Renber Ring	Brass	Tin-Zinc-Copper-Alloy 100 Over Copper 50
Gasket	Silicone	
Body(N)	Brass	Tin-Zinc-Copper-Alloy 100 Over Copper 50
Body(SMA)	Brass	Gold 4 Over Nickel-Phosphorus Alloy 80 Over Copper 20
Coupling Nut	Brass	Tin-Zinc-Copper-Alloy 100 Over Copper 50

Weight: 40.19 g

This part number complies with RoHS.

Notice: JYEBAO reserves the right to make modifications deemed appropriate.

AD-A8N3-P4		SMA Jack To N Plug ,IP67 Mated, 25.4SQ 4 Hole Flange, 11GHz VSWR 1.15	
Interface		SMA	N
Standard		MIL-STD-348B	MIL-STD-348B
Mechanically compatible with		2.92 & 3.5	
Electrical Data			
Impedance		50Ω	
Frequency Range		DC To 11GHz	
VSWR		≤ 1.15 (DC To 11GHz)	
Insertion Loss		≤ 0.04 x √f(GHz) dB	
Insulation Resistance		≥ 5000MΩ	
Dielectric Withstanding Voltage (at sea level)		1500 V rms	
Working Voltage (at sea level)		500 V rms	
Mechanical Data			
		SMA	N
Recommended Coupling Nut Torque		4 in-lbs	6 to 10 in-lbs
Coupling Proof Torque		5.3 in-lbs	15 in-lbs
Coupling Nut Retention Force		NA	≥ 101.2 lbs
Contact Captivation-axial		≥ 6.1 lbs	≥ 6.3 lbs
Durability (mating)		≥ 100	≥ 500
Environmental Data			
Temperature Range		-65°C to +165°C	
Thermal Shock		MIL-STD-202, Method 107, Condition B	
Moisture Resistance		MIL-STD-202, Method 206	
Corrosion		MIL-STD-202, Method 101, Condition B	
RoHS		Compliant	

Notice: JYEBAO reserves the right to make modifications deemed appropriate.