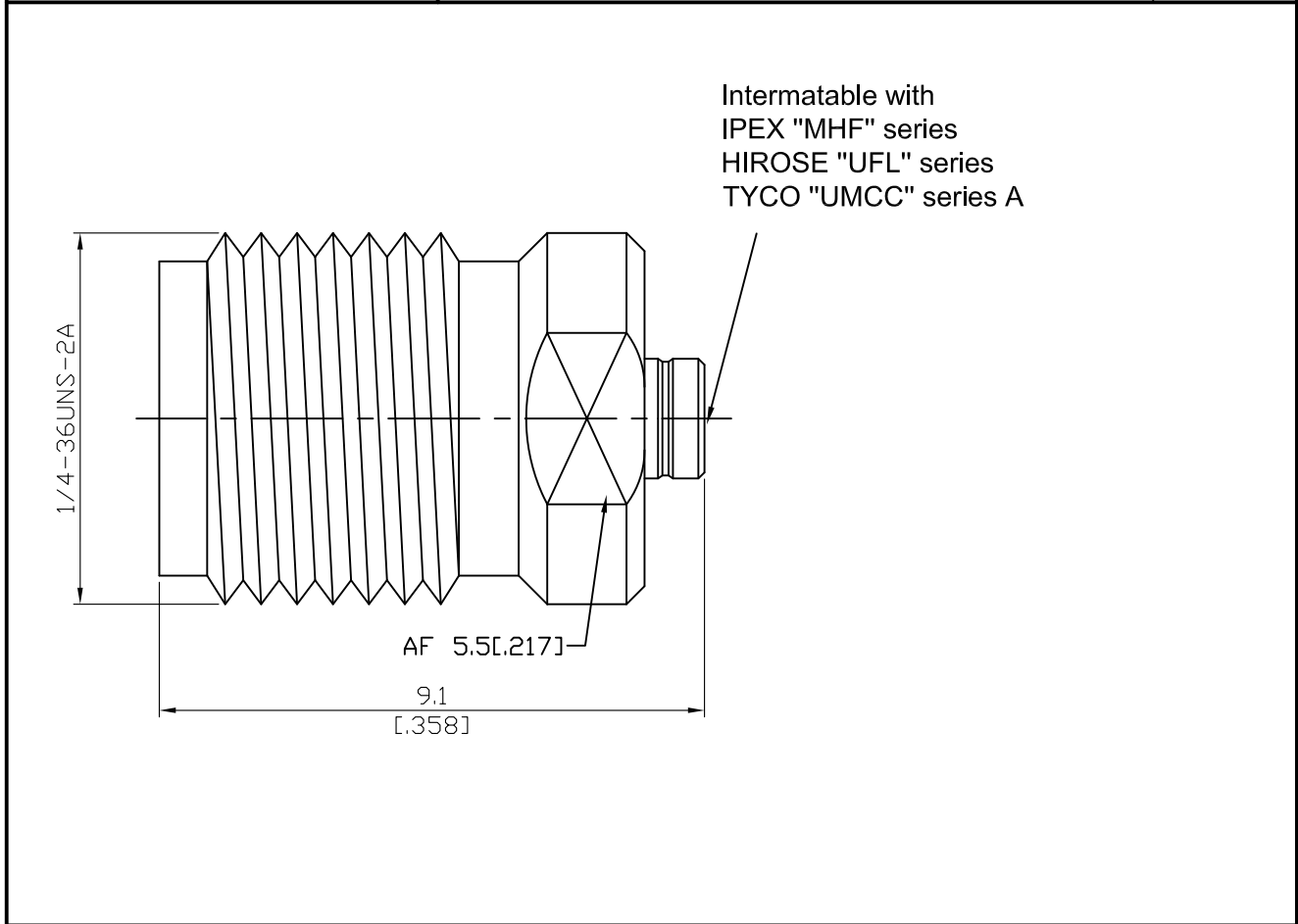


AD-A8IP8	SMA Jack to IPEX MHF Jack 6GHz VSWR 1.2; 18GHz VSWR 1.3	50Ω
----------	--	-----



Parts	Material	Plating (Micro-inch)
Body	Brass	Gold 4 Over Nickel-Phosphorus Alloy 80 Over Copper 20
Insulator	Teflon	
Contact Pin	Beryllium Copper	Gold 4 Over Nickel-Phosphorus Alloy 80 Over Copper 20

--	--

This part number complies with RoHS.

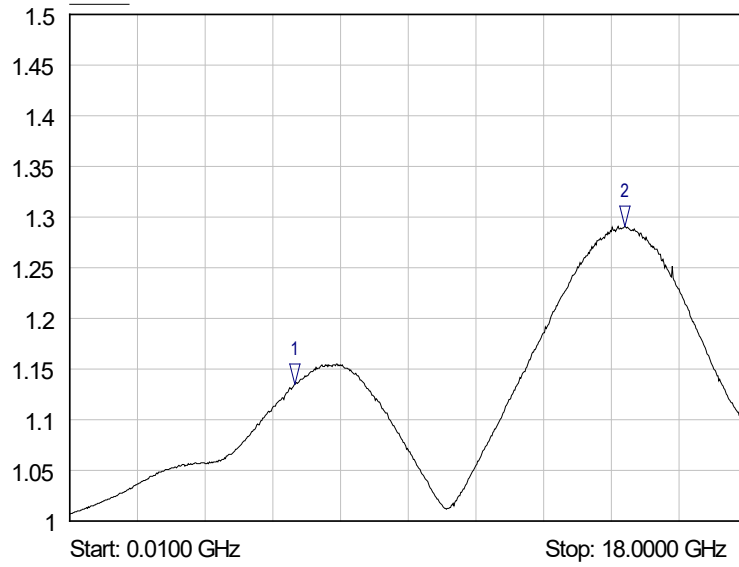
Notice: JYEBAO reserves the right to make modifications deemed appropriate.

AD-A8IP8	SMA Jack to IPEX MHF Jack 6GHz VSWR 1.2; 18GHz VSWR 1.3											
Interface Standard Mechanically Compatible With	<table border="1"> <thead> <tr> <th data-bbox="780 344 1123 394">SMA</th> <th data-bbox="1123 344 1482 394">IPEX MHF</th> </tr> </thead> <tbody> <tr> <td data-bbox="780 394 1123 443">MIL-STD-348B</td> <td data-bbox="1123 394 1482 443"></td> </tr> <tr> <td data-bbox="780 443 1123 539">2.92 & 3.5</td> <td data-bbox="1123 443 1482 539">IPEX MHF; Hirose UFL TYCO UMCC</td> </tr> </tbody> </table>	SMA	IPEX MHF	MIL-STD-348B		2.92 & 3.5	IPEX MHF; Hirose UFL TYCO UMCC					
SMA	IPEX MHF											
MIL-STD-348B												
2.92 & 3.5	IPEX MHF; Hirose UFL TYCO UMCC											
Electrical Data Impedance Frequency Range VSWR Insertion Loss	<table border="1"> <tbody> <tr> <td data-bbox="780 658 1123 707">50Ω</td> </tr> <tr> <td data-bbox="780 707 1123 757">DC To 18GHz</td> </tr> <tr> <td data-bbox="780 757 1123 806">≤ 1.2 (6GHz) ; ≤ 1.3 (18GHz)</td> </tr> <tr> <td data-bbox="780 806 1123 855">≤ 0.03 x √f(GHz) dB</td> </tr> </tbody> </table>		50Ω	DC To 18GHz	≤ 1.2 (6GHz) ; ≤ 1.3 (18GHz)	≤ 0.03 x √f(GHz) dB						
50Ω												
DC To 18GHz												
≤ 1.2 (6GHz) ; ≤ 1.3 (18GHz)												
≤ 0.03 x √f(GHz) dB												
Mechanical Data Recommended Coupling Nut Torque Coupling Proof Torque Contact Captivation-axial Durability (mating)	<table border="1"> <thead> <tr> <th data-bbox="780 1077 1123 1126">SMA</th> <th data-bbox="1123 1077 1482 1126">MHF/UFL/UMCC</th> </tr> </thead> <tbody> <tr> <td data-bbox="780 1126 1123 1176">4 in-lbs</td> <td data-bbox="1123 1126 1482 1176">NA</td> </tr> <tr> <td data-bbox="780 1176 1123 1225">5.3 in-lbs</td> <td data-bbox="1123 1176 1482 1225">NA</td> </tr> <tr> <td data-bbox="780 1225 1123 1274">≥ 6.1 lbs</td> <td data-bbox="1123 1225 1482 1274">NA</td> </tr> <tr> <td data-bbox="780 1274 1123 1323">≥ 100</td> <td data-bbox="1123 1274 1482 1323">≥ 30</td> </tr> </tbody> </table>		SMA	MHF/UFL/UMCC	4 in-lbs	NA	5.3 in-lbs	NA	≥ 6.1 lbs	NA	≥ 100	≥ 30
SMA	MHF/UFL/UMCC											
4 in-lbs	NA											
5.3 in-lbs	NA											
≥ 6.1 lbs	NA											
≥ 100	≥ 30											
Environmental Data Temperature Range RoHS	<table border="1"> <tbody> <tr> <td data-bbox="780 1583 1123 1632">-40°C to +90°C</td> </tr> <tr> <td data-bbox="780 1632 1123 1682">Compliant</td> </tr> </tbody> </table>		-40°C to +90°C	Compliant								
-40°C to +90°C												
Compliant												

Notice: JYEBAO reserves the right to make modifications deemed appropriate.

AD-A8IP8

SoftPlot Measurement Presentation
VSWR S11



- 1 S11
- ▽ 5.9917 GHz
1.14 VSWR
- 2 S11
- ▽ 14.7618 GHz
1.29 VSWR