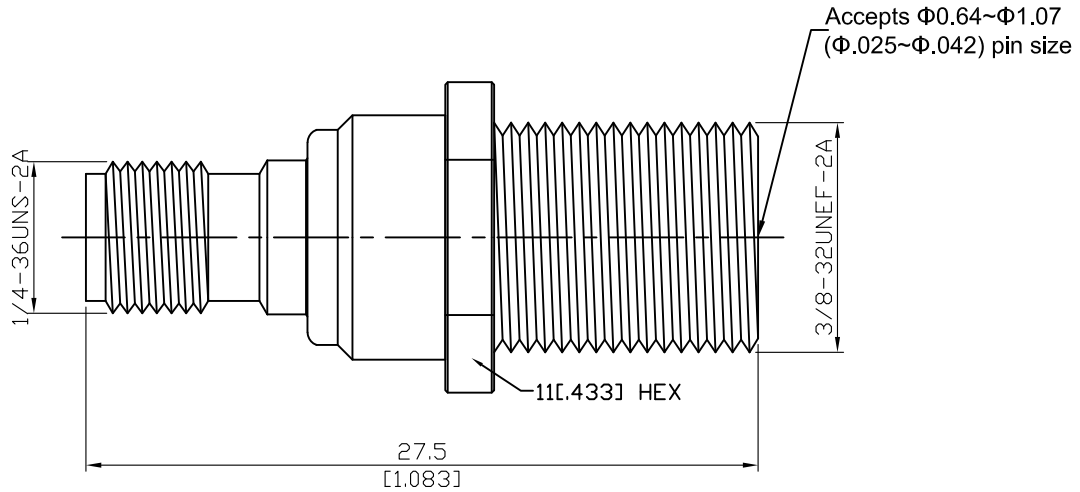


AD-A8F8

SMA Jack 50ohm To F Jack 75ohm
(impedance mismatch)



NOTE: Impedance Mismatch Causes Poor RF performance

Parts	Material	Plating (Micro-inch)
Body (SMA)	Brass	Gold 4 Over Nickel-Phosphorus Alloy 80 Over Copper 20
Body (F)	Brass	Tin-Zinc-Copper-Alloy 100 Over Copper 50
Insulator (SMA)	Teflon	
Insulator (F)	PE	
Contact Pin	Beryllium Copper	Gold 4 Over Nickel-Phosphorus Alloy 80 Over Copper 20

This part number complies with RoHS.

Notice: JYEBAO reserves the right to make modifications deemed appropriate.

Description	Straight SMA-F													
<div style="border: 1px solid black; padding: 2px; margin-bottom: 5px;">Interface</div> Standard Mechanically Compatible With	<table border="1" style="width: 100%; border-collapse: collapse;"> <thead> <tr> <th style="width: 50%;">SMA</th> <th style="width: 50%;">F</th> </tr> </thead> <tbody> <tr> <td>MIL-STD-348B</td> <td>IEC 61169-24</td> </tr> <tr> <td>2.92 & 3.5</td> <td></td> </tr> </tbody> </table>	SMA	F	MIL-STD-348B	IEC 61169-24	2.92 & 3.5								
SMA	F													
MIL-STD-348B	IEC 61169-24													
2.92 & 3.5														
<div style="border: 1px solid black; padding: 2px; margin-bottom: 5px;">Electrical Data</div> Impedance Frequency Range VSWR Insulation Resistance Dielectric Withstanding Voltage (at sea level) Working Voltage (at sea level)	50Ω (SMA) & 75Ω (F) DC To 3GHz Poor (impedance mismatch) ≥ 5000MΩ 1500 V rms 500 V rms													
<div style="border: 1px solid black; padding: 2px; margin-bottom: 5px;">Mechanical Data</div> Recommended Coupling Nut Torque Coupling Proof Torque Contact Captivation-axial Durability (mating) Accepts male pin size	<table border="1" style="width: 100%; border-collapse: collapse;"> <thead> <tr> <th style="width: 50%;">SMA</th> <th style="width: 50%;">F</th> </tr> </thead> <tbody> <tr> <td>4 in-lbs</td> <td>15 to 20 in-lbs</td> </tr> <tr> <td>5.3 in-lbs</td> <td>60 in-lbs</td> </tr> <tr> <td>≥ 6.1 lbs</td> <td>NA</td> </tr> <tr> <td>≥ 100</td> <td>≥ 500</td> </tr> <tr> <td></td> <td>Φ0.64~Φ1.07 (Φ.025~Φ.042)</td> </tr> </tbody> </table>		SMA	F	4 in-lbs	15 to 20 in-lbs	5.3 in-lbs	60 in-lbs	≥ 6.1 lbs	NA	≥ 100	≥ 500		Φ0.64~Φ1.07 (Φ.025~Φ.042)
SMA	F													
4 in-lbs	15 to 20 in-lbs													
5.3 in-lbs	60 in-lbs													
≥ 6.1 lbs	NA													
≥ 100	≥ 500													
	Φ0.64~Φ1.07 (Φ.025~Φ.042)													
<div style="border: 1px solid black; padding: 2px; margin-bottom: 5px;">Environmental Data</div> Temperature Range Thermal Shock Moisture Resistance Corrosion RoHS	-40°C to +85°C MIL-STD-202, Method 107, Condition B MIL-STD-202, Method 206 MIL-STD-202, Method 101, Condition B Compliant													

Notice: JYEBAO reserves the right to make modifications deemed appropriate.