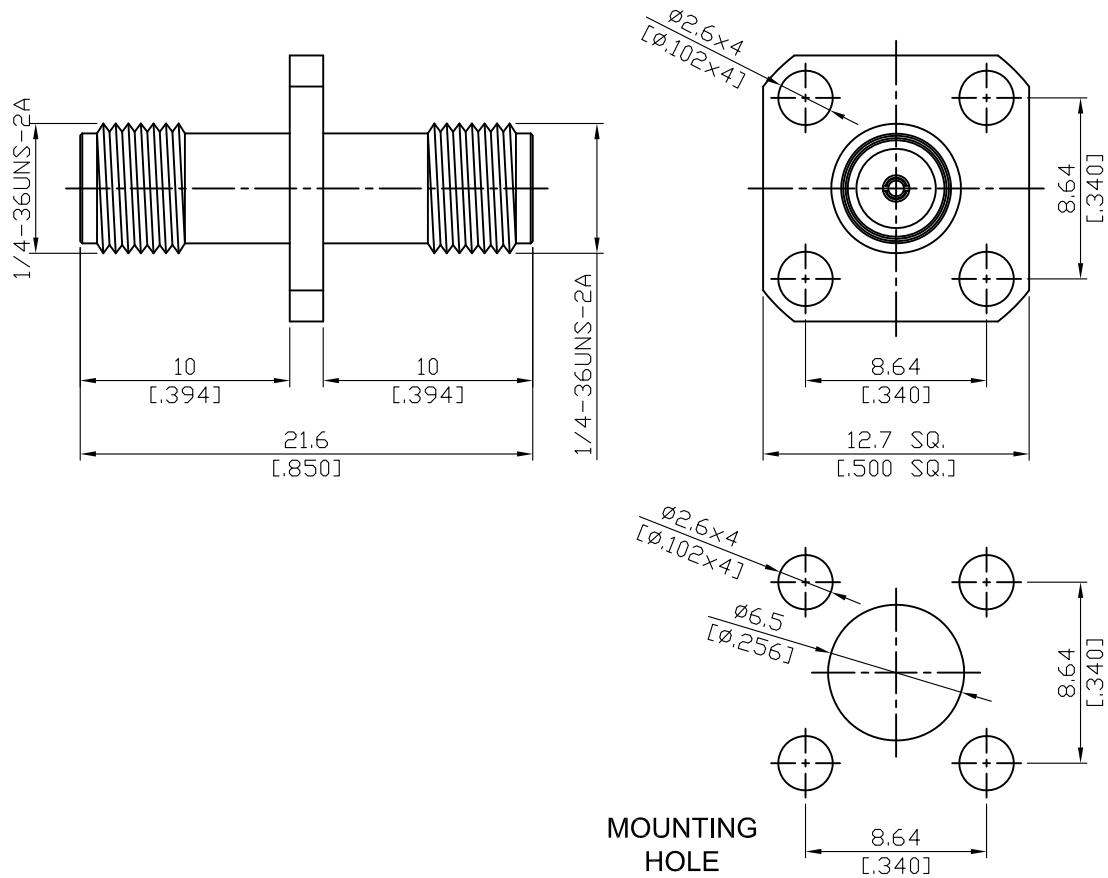


AD-A8A8-P4L	SMA Jack to SMA Jack 4 Hole Flange 18GHz VSWR 1.2	50Ω
-------------	--	-----



Parts	Material	Plating (Micro-inch)
Contact Pin	Beryllium Copper	Gold 4 Over Nickel-Phosphorus Alloy 80 Over Copper 20
Insulator	Teflon	
Body	Brass	Gold 4 Over Nickel-Phosphorus Alloy 80 Over Copper 20

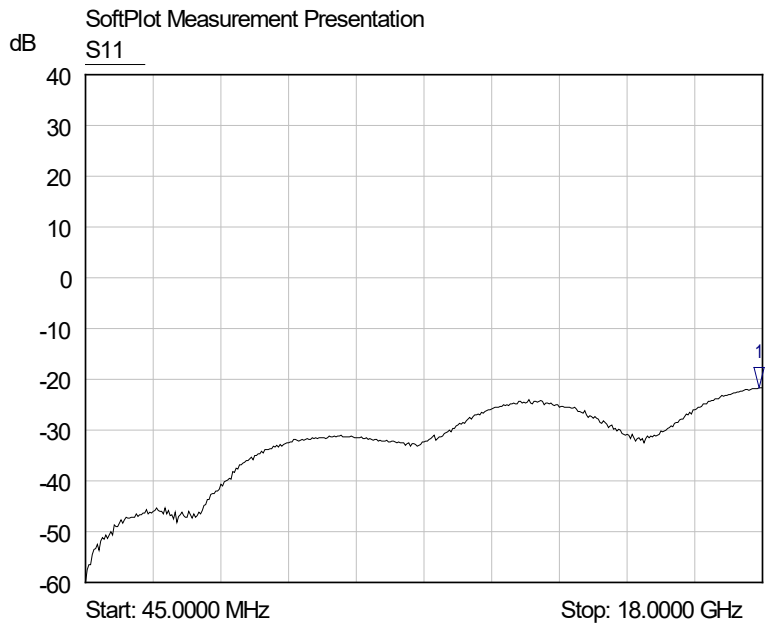
--	--

This part number complies with RoHS.

Notice: JYEBAO reserves the right to make modifications deemed appropriate.

AD-A8A8-P4L	SMA Jack to SMA Jack 4 Hole Flange 18GHz VSWR 1.2																
<table border="0" style="width: 100%;"> <tr> <td colspan="2" data-bbox="129 342 531 392">Interface</td> </tr> <tr> <td data-bbox="129 398 766 436">Standard</td> <td data-bbox="766 398 1479 436">MIL-STD-348B</td> </tr> <tr> <td data-bbox="129 443 766 481">Mechanically compatible with</td> <td data-bbox="766 443 1479 481">2.92 & 3.5</td> </tr> </table>		Interface		Standard	MIL-STD-348B	Mechanically compatible with	2.92 & 3.5										
Interface																	
Standard	MIL-STD-348B																
Mechanically compatible with	2.92 & 3.5																
<table border="0" style="width: 100%;"> <tr> <td colspan="2" data-bbox="129 602 531 651">Electrical Data</td> </tr> <tr> <td data-bbox="129 658 766 696">Impedance</td> <td data-bbox="766 658 1479 696">50Ω</td> </tr> <tr> <td data-bbox="129 703 766 741">Frequency Range</td> <td data-bbox="766 703 1479 741">DC To 18GHz</td> </tr> <tr> <td data-bbox="129 748 766 786">VSWR</td> <td data-bbox="766 748 1479 786">≤ 1.2 (DC To 18GHz)</td> </tr> <tr> <td data-bbox="129 792 766 831">Insertion Loss</td> <td data-bbox="766 792 1479 831">≤ 0.04 x √f(GHz) dB</td> </tr> <tr> <td data-bbox="129 837 766 875">Insulation Resistance</td> <td data-bbox="766 837 1479 875">≥ 5000MΩ</td> </tr> <tr> <td data-bbox="129 882 766 920">Dielectric Withstanding Voltage (at sea level)</td> <td data-bbox="766 882 1479 920">1500 V rms</td> </tr> <tr> <td data-bbox="129 927 766 965">Working Voltage (at sea level)</td> <td data-bbox="766 927 1479 965">500 V rms</td> </tr> </table>		Electrical Data		Impedance	50Ω	Frequency Range	DC To 18GHz	VSWR	≤ 1.2 (DC To 18GHz)	Insertion Loss	≤ 0.04 x √f(GHz) dB	Insulation Resistance	≥ 5000MΩ	Dielectric Withstanding Voltage (at sea level)	1500 V rms	Working Voltage (at sea level)	500 V rms
Electrical Data																	
Impedance	50Ω																
Frequency Range	DC To 18GHz																
VSWR	≤ 1.2 (DC To 18GHz)																
Insertion Loss	≤ 0.04 x √f(GHz) dB																
Insulation Resistance	≥ 5000MΩ																
Dielectric Withstanding Voltage (at sea level)	1500 V rms																
Working Voltage (at sea level)	500 V rms																
<table border="0" style="width: 100%;"> <tr> <td colspan="2" data-bbox="129 1099 531 1149">Mechanical Data</td> </tr> <tr> <td data-bbox="129 1155 766 1193">Recommended Coupling Nut Torque</td> <td data-bbox="766 1155 1479 1193">4 in-lbs</td> </tr> <tr> <td data-bbox="129 1200 766 1238">Coupling Proof Torque</td> <td data-bbox="766 1200 1479 1238">5.3 in-lbs</td> </tr> <tr> <td data-bbox="129 1245 766 1283">Contact Captivation-axial</td> <td data-bbox="766 1245 1479 1283">≥ 6.1 lbs</td> </tr> <tr> <td data-bbox="129 1290 766 1328">Durability (mating)</td> <td data-bbox="766 1290 1479 1328">≥ 100</td> </tr> </table>		Mechanical Data		Recommended Coupling Nut Torque	4 in-lbs	Coupling Proof Torque	5.3 in-lbs	Contact Captivation-axial	≥ 6.1 lbs	Durability (mating)	≥ 100						
Mechanical Data																	
Recommended Coupling Nut Torque	4 in-lbs																
Coupling Proof Torque	5.3 in-lbs																
Contact Captivation-axial	≥ 6.1 lbs																
Durability (mating)	≥ 100																
<table border="0" style="width: 100%;"> <tr> <td colspan="2" data-bbox="129 1503 531 1552">Environmental Data</td> </tr> <tr> <td data-bbox="129 1559 766 1597">Temperature Range</td> <td data-bbox="766 1559 1479 1597">-65°C to +165°C</td> </tr> <tr> <td data-bbox="129 1603 766 1641">Thermal Shock</td> <td data-bbox="766 1603 1479 1641">MIL-STD-202, Method 107, Condition B</td> </tr> <tr> <td data-bbox="129 1648 766 1686">Moisture Resistance</td> <td data-bbox="766 1648 1479 1686">MIL-STD-202, Method 206</td> </tr> <tr> <td data-bbox="129 1693 766 1731">Corrosion</td> <td data-bbox="766 1693 1479 1731">MIL-STD-202, Method 101, Condition B</td> </tr> <tr> <td data-bbox="129 1738 766 1776">RoHS</td> <td data-bbox="766 1738 1479 1776">Compliant</td> </tr> </table>		Environmental Data		Temperature Range	-65°C to +165°C	Thermal Shock	MIL-STD-202, Method 107, Condition B	Moisture Resistance	MIL-STD-202, Method 206	Corrosion	MIL-STD-202, Method 101, Condition B	RoHS	Compliant				
Environmental Data																	
Temperature Range	-65°C to +165°C																
Thermal Shock	MIL-STD-202, Method 107, Condition B																
Moisture Resistance	MIL-STD-202, Method 206																
Corrosion	MIL-STD-202, Method 101, Condition B																
RoHS	Compliant																

AD-A8A8-P4L



1 S11
17.9102 GHz
1.18 VSWR