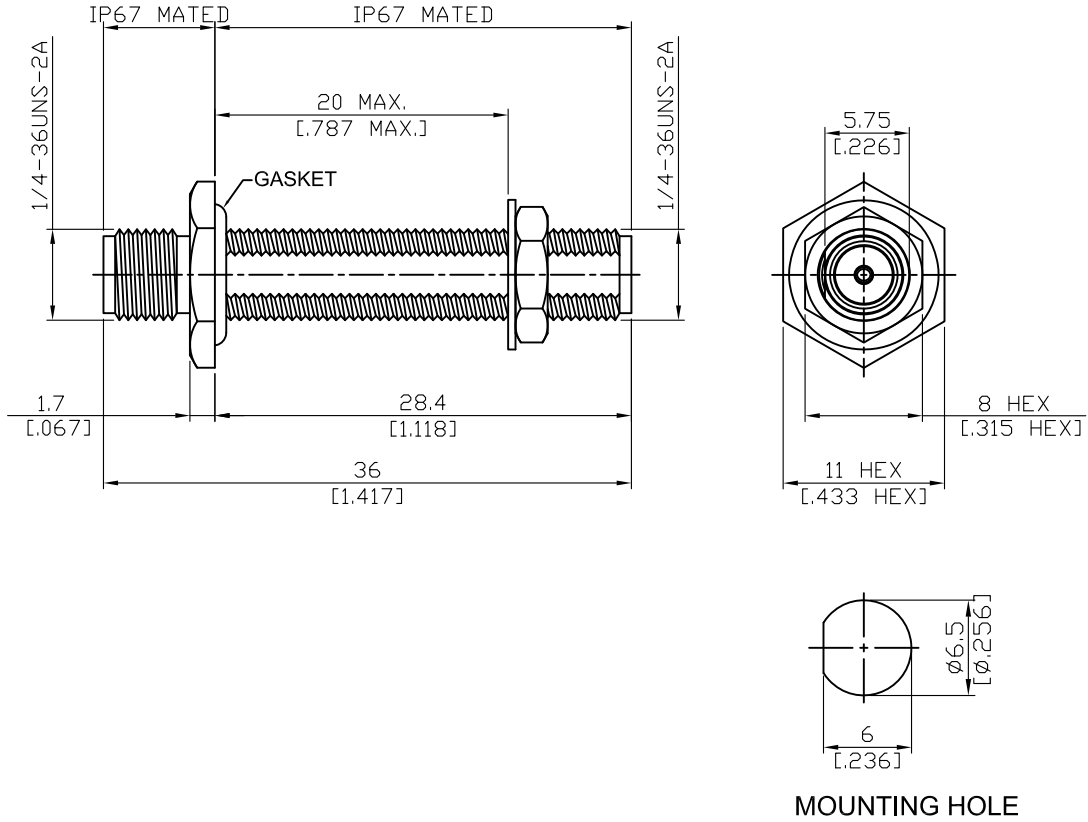


AD-A8A8-BFL-G

SMA Jack To SMA Jack Bulkhead  
IP67 Mated, 18GHz VSWR 1.2

50Ω



Parts	Material	Plating ( Micro-inch )
Hex Nut	Brass	Gold 4 Over Nickel-Phosphorus Alloy 80 Over Copper 20
Washer	Brass	Gold 4 Over Nickel-Phosphorus Alloy 80 Over Copper 20
Gasket	Silicone	
Contact Pin	Beryllium Copper	Gold 4 Over Nickel-Phosphorus Alloy 80 Over Copper 20
Insulator	Teflon	
Body	Brass	Gold 4 Over Nickel-Phosphorus Alloy 80 Over Copper 20

This part number complies with RoHS.

Notice: JYEBAO reserves the right to make modifications deemed appropriate.

AD-A8A8-BFL-G	SMA Jack To SMA Jack Bulkhead IP67 Mated, 18GHz VSWR 1.2																
<table border="0"> <tr> <td colspan="2" data-bbox="129 342 531 394"><b>Interface</b></td> </tr> <tr> <td data-bbox="129 400 774 434">Standard</td> <td data-bbox="774 400 1481 434">MIL-STD-348B</td> </tr> <tr> <td data-bbox="129 445 774 479">Mechanically compatible with</td> <td data-bbox="774 445 1481 479">2.92 &amp; 3.5</td> </tr> </table>		<b>Interface</b>		Standard	MIL-STD-348B	Mechanically compatible with	2.92 & 3.5										
<b>Interface</b>																	
Standard	MIL-STD-348B																
Mechanically compatible with	2.92 & 3.5																
<table border="0"> <tr> <td colspan="2" data-bbox="129 602 531 654"><b>Electrical Data</b></td> </tr> <tr> <td data-bbox="129 660 774 694">Impedance</td> <td data-bbox="774 660 1481 694">50Ω</td> </tr> <tr> <td data-bbox="129 705 774 739">Frequency Range</td> <td data-bbox="774 705 1481 739">DC To 18GHz</td> </tr> <tr> <td data-bbox="129 750 774 784">VSWR</td> <td data-bbox="774 750 1481 784">≤ 1.2 (DC To 18GHz)</td> </tr> <tr> <td data-bbox="129 795 774 828">Insertion Loss</td> <td data-bbox="774 795 1481 828">≤ 0.04 x √f(GHz) dB</td> </tr> <tr> <td data-bbox="129 840 774 873">Insulation Resistance</td> <td data-bbox="774 840 1481 873">≥ 5000MΩ</td> </tr> <tr> <td data-bbox="129 884 774 918">Dielectric Withstanding Voltage (at sea level)</td> <td data-bbox="774 884 1481 918">1500 V rms</td> </tr> <tr> <td data-bbox="129 929 774 963">Working Voltage (at sea level)</td> <td data-bbox="774 929 1481 963">500 V rms</td> </tr> </table>		<b>Electrical Data</b>		Impedance	50Ω	Frequency Range	DC To 18GHz	VSWR	≤ 1.2 (DC To 18GHz)	Insertion Loss	≤ 0.04 x √f(GHz) dB	Insulation Resistance	≥ 5000MΩ	Dielectric Withstanding Voltage (at sea level)	1500 V rms	Working Voltage (at sea level)	500 V rms
<b>Electrical Data</b>																	
Impedance	50Ω																
Frequency Range	DC To 18GHz																
VSWR	≤ 1.2 (DC To 18GHz)																
Insertion Loss	≤ 0.04 x √f(GHz) dB																
Insulation Resistance	≥ 5000MΩ																
Dielectric Withstanding Voltage (at sea level)	1500 V rms																
Working Voltage (at sea level)	500 V rms																
<table border="0"> <tr> <td colspan="2" data-bbox="129 1102 531 1153"><b>Mechanical Data</b></td> </tr> <tr> <td data-bbox="129 1160 774 1193">Recommended Coupling Nut Torque</td> <td data-bbox="774 1160 1481 1193">4 in-lbs</td> </tr> <tr> <td data-bbox="129 1205 774 1238">Coupling Proof Torque</td> <td data-bbox="774 1205 1481 1238">5.3 in-lbs</td> </tr> <tr> <td data-bbox="129 1249 774 1283">Contact Captivation-axial</td> <td data-bbox="774 1249 1481 1283">≥ 6.1 lbs</td> </tr> <tr> <td data-bbox="129 1294 774 1328">Durability (mating)</td> <td data-bbox="774 1294 1481 1328">≥ 100</td> </tr> </table>		<b>Mechanical Data</b>		Recommended Coupling Nut Torque	4 in-lbs	Coupling Proof Torque	5.3 in-lbs	Contact Captivation-axial	≥ 6.1 lbs	Durability (mating)	≥ 100						
<b>Mechanical Data</b>																	
Recommended Coupling Nut Torque	4 in-lbs																
Coupling Proof Torque	5.3 in-lbs																
Contact Captivation-axial	≥ 6.1 lbs																
Durability (mating)	≥ 100																
<table border="0"> <tr> <td colspan="2" data-bbox="129 1503 531 1554"><b>Environmental Data</b></td> </tr> <tr> <td data-bbox="129 1561 774 1594">Temperature Range</td> <td data-bbox="774 1561 1481 1594">-65°C to +165°C</td> </tr> <tr> <td data-bbox="129 1606 774 1639">Thermal Shock</td> <td data-bbox="774 1606 1481 1639">MIL-STD-202, Method 107, Condition B</td> </tr> <tr> <td data-bbox="129 1650 774 1684">Moisture Resistance</td> <td data-bbox="774 1650 1481 1684">MIL-STD-202, Method 206</td> </tr> <tr> <td data-bbox="129 1695 774 1729">Corrosion</td> <td data-bbox="774 1695 1481 1729">MIL-STD-202, Method 101, Condition B</td> </tr> <tr> <td data-bbox="129 1740 774 1774">RoHS</td> <td data-bbox="774 1740 1481 1774">Compliant</td> </tr> </table>		<b>Environmental Data</b>		Temperature Range	-65°C to +165°C	Thermal Shock	MIL-STD-202, Method 107, Condition B	Moisture Resistance	MIL-STD-202, Method 206	Corrosion	MIL-STD-202, Method 101, Condition B	RoHS	Compliant				
<b>Environmental Data</b>																	
Temperature Range	-65°C to +165°C																
Thermal Shock	MIL-STD-202, Method 107, Condition B																
Moisture Resistance	MIL-STD-202, Method 206																
Corrosion	MIL-STD-202, Method 101, Condition B																
RoHS	Compliant																

# AD-A8A8-BFL-G

