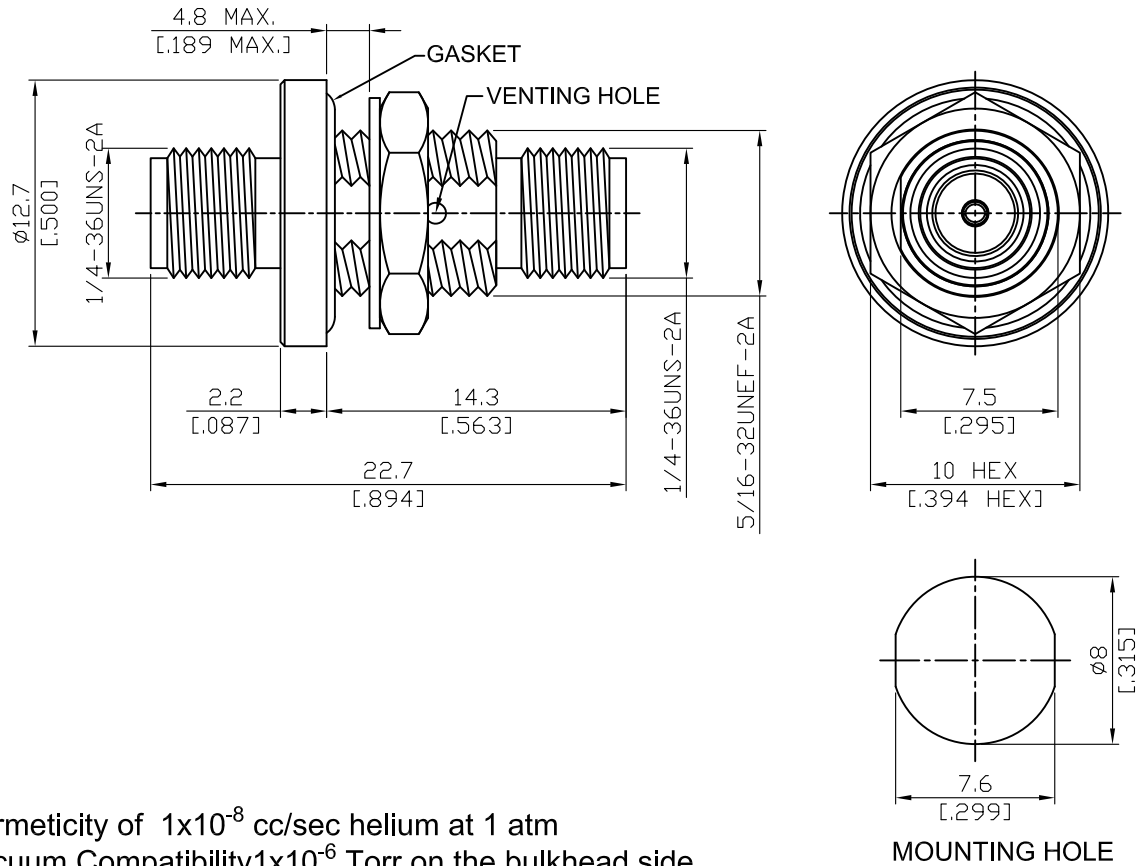


AD-A8A8-BF1/GBVH	Hermetically Sealed 1×10^{-8} atm cc/sec of Helium at 1atm Vacuum Compatible on Bulkhead Side 1×10^{-6} Torr SMA Jack To SMA Jack Bulkhead 18GHz VSWR 1.25	50Ω
-------------------------	--	------------



Parts	Material	Plating (Micro-inch)
Nut	Brass	Gold 4 Over Nickel-Phosphorus Alloy 80 Over Copper 20
Washer	Brass	Gold 4 Over Nickel-Phosphorus Alloy 80 Over Copper 20
Gasket	VITON	
Glass Bead	Kovar	Gold 4 Over Nickel-Phosphorus Alloy 80 Over Copper 20
Contact Pin	Beryllium Copper	Gold 4 Over Nickel-Phosphorus Alloy 80 Over Copper 20
Insulator	Teflon	
Body	Brass	Gold 4 Over Nickel-Phosphorus Alloy 80 Over Copper 20

--	--

This part number complies with RoHS.
Notice: JYEBAO reserves the right to make modifications deemed appropriate.

AD-A8A8-BF1/GBVH	Hermetically Sealed 1x10 ⁻⁸ atm cc/sec of Helium at 1atm Vacuum Compatible on Bulkhead Side 1x10 ⁻⁶ Torr SMA Jack To SMA Jack Bulkhead 18GHz VSWR 1.25																
<table border="0"> <tr> <td colspan="2" data-bbox="129 342 531 394">Interface</td> </tr> <tr> <td data-bbox="129 405 766 439">Standard</td> <td data-bbox="766 405 1481 439">MIL-STD-348B</td> </tr> <tr> <td data-bbox="129 450 766 483">Mechanically compatible with</td> <td data-bbox="766 450 1481 483">2.92 & 3.5</td> </tr> </table>		Interface		Standard	MIL-STD-348B	Mechanically compatible with	2.92 & 3.5										
Interface																	
Standard	MIL-STD-348B																
Mechanically compatible with	2.92 & 3.5																
<table border="0"> <tr> <td colspan="2" data-bbox="129 607 531 658">Electrical Data</td> </tr> <tr> <td data-bbox="129 663 766 696">Impedance</td> <td data-bbox="766 663 1481 696">50Ω</td> </tr> <tr> <td data-bbox="129 707 766 741">Frequency Range</td> <td data-bbox="766 707 1481 741">DC To 18GHz</td> </tr> <tr> <td data-bbox="129 752 766 786">VSWR</td> <td data-bbox="766 752 1481 786">≤ 1.25 (DC To 18GHz)</td> </tr> <tr> <td data-bbox="129 797 766 831">Insertion Loss</td> <td data-bbox="766 797 1481 831">≤ 0.05 x √f(GHz) dB</td> </tr> <tr> <td data-bbox="129 842 766 875">Insulation Resistance</td> <td data-bbox="766 842 1481 875">≥ 5000MΩ</td> </tr> <tr> <td data-bbox="129 887 766 920">Dielectric Withstanding Voltage (at sea level)</td> <td data-bbox="766 887 1481 920">1500 V rms</td> </tr> <tr> <td data-bbox="129 931 766 965">Working Voltage (at sea level)</td> <td data-bbox="766 931 1481 965">500 V rms</td> </tr> </table>		Electrical Data		Impedance	50Ω	Frequency Range	DC To 18GHz	VSWR	≤ 1.25 (DC To 18GHz)	Insertion Loss	≤ 0.05 x √f(GHz) dB	Insulation Resistance	≥ 5000MΩ	Dielectric Withstanding Voltage (at sea level)	1500 V rms	Working Voltage (at sea level)	500 V rms
Electrical Data																	
Impedance	50Ω																
Frequency Range	DC To 18GHz																
VSWR	≤ 1.25 (DC To 18GHz)																
Insertion Loss	≤ 0.05 x √f(GHz) dB																
Insulation Resistance	≥ 5000MΩ																
Dielectric Withstanding Voltage (at sea level)	1500 V rms																
Working Voltage (at sea level)	500 V rms																
<table border="0"> <tr> <td colspan="2" data-bbox="129 1106 531 1158">Mechanical Data</td> </tr> <tr> <td data-bbox="129 1162 766 1196">Recommended Coupling Nut Torque</td> <td data-bbox="766 1162 1481 1196">4 in-lbs</td> </tr> <tr> <td data-bbox="129 1207 766 1240">Coupling Proof Torque</td> <td data-bbox="766 1207 1481 1240">5.3 in-lbs</td> </tr> <tr> <td data-bbox="129 1252 766 1285">Contact Captivation-axial</td> <td data-bbox="766 1252 1481 1285">≥ 6.1 lbs</td> </tr> <tr> <td data-bbox="129 1296 766 1330">Durability (mating)</td> <td data-bbox="766 1296 1481 1330">≥ 100</td> </tr> </table>		Mechanical Data		Recommended Coupling Nut Torque	4 in-lbs	Coupling Proof Torque	5.3 in-lbs	Contact Captivation-axial	≥ 6.1 lbs	Durability (mating)	≥ 100						
Mechanical Data																	
Recommended Coupling Nut Torque	4 in-lbs																
Coupling Proof Torque	5.3 in-lbs																
Contact Captivation-axial	≥ 6.1 lbs																
Durability (mating)	≥ 100																
<table border="0"> <tr> <td colspan="2" data-bbox="129 1509 531 1561">Environmental Data</td> </tr> <tr> <td data-bbox="129 1565 766 1599">Temperature Range</td> <td data-bbox="766 1565 1481 1599">-10°C to +105°C</td> </tr> <tr> <td data-bbox="129 1610 766 1644">Thermal Shock</td> <td data-bbox="766 1610 1481 1644">MIL-STD-202, Method 107, Condition B</td> </tr> <tr> <td data-bbox="129 1655 766 1688">Moisture Resistance</td> <td data-bbox="766 1655 1481 1688">MIL-STD-202, Method 206</td> </tr> <tr> <td data-bbox="129 1700 766 1733">Corrosion</td> <td data-bbox="766 1700 1481 1733">MIL-STD-202, Method 101, Condition B</td> </tr> <tr> <td data-bbox="129 1744 766 1778">RoHS</td> <td data-bbox="766 1744 1481 1778">Compliant</td> </tr> </table>		Environmental Data		Temperature Range	-10°C to +105°C	Thermal Shock	MIL-STD-202, Method 107, Condition B	Moisture Resistance	MIL-STD-202, Method 206	Corrosion	MIL-STD-202, Method 101, Condition B	RoHS	Compliant				
Environmental Data																	
Temperature Range	-10°C to +105°C																
Thermal Shock	MIL-STD-202, Method 107, Condition B																
Moisture Resistance	MIL-STD-202, Method 206																
Corrosion	MIL-STD-202, Method 101, Condition B																
RoHS	Compliant																