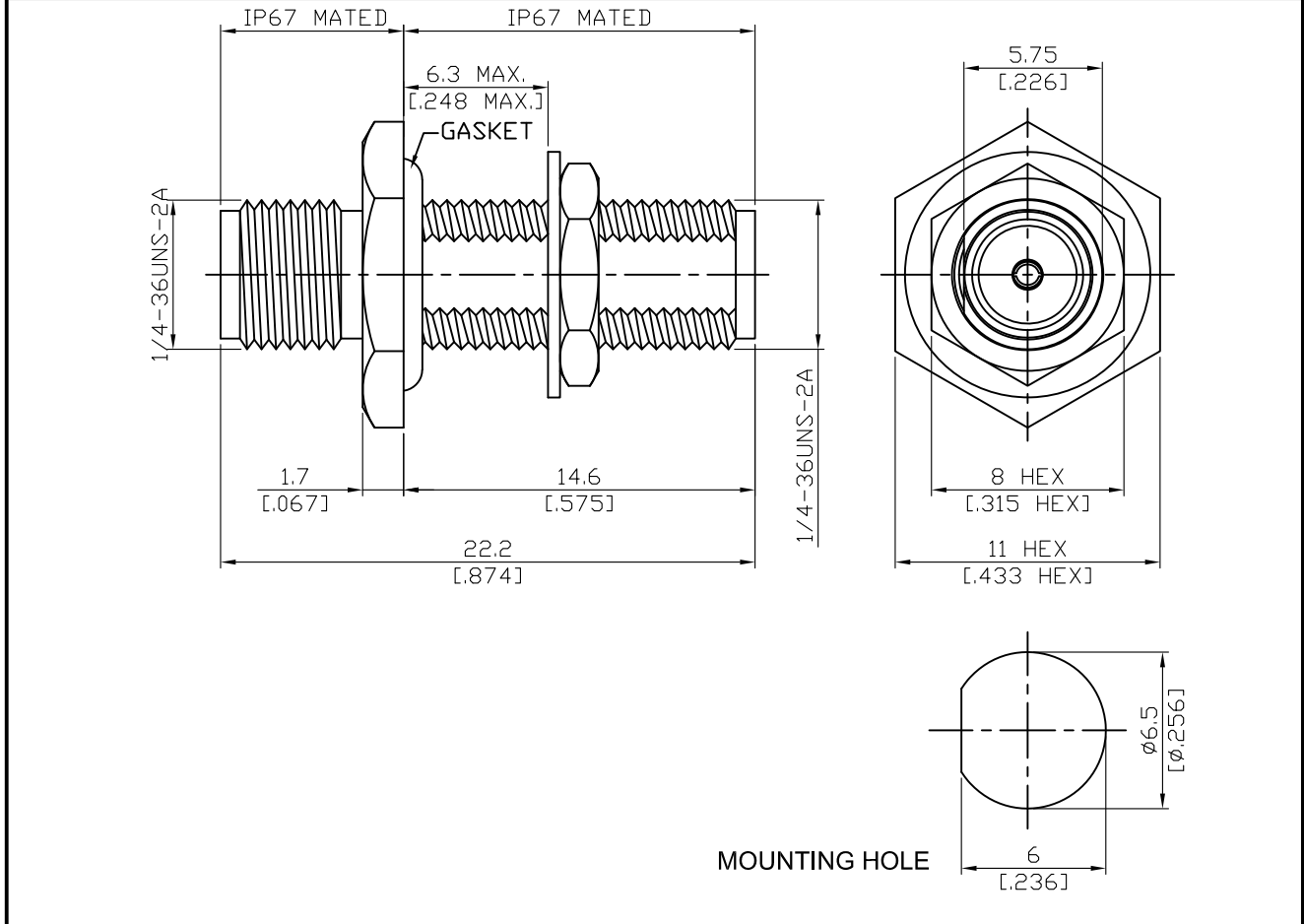


|                     |   |            |
|---------------------|---|------------|
| <b>AD-A8A8-BF-G</b> | <b>SMA Jack To SMA Jack Bulkhead<br/>IP67 Mated; 18GHz VSWR 1.2</b> | <b>50Ω</b> |
|---------------------|---|------------|



| Parts       | Material         | Plating ( Micro-inch )                                |
|-------------|------------------|---|
| Gasket      | Silicone         |   |
| Hex Nut     | Brass            | Gold 4 Over Nickel-Phosphorus Alloy 80 Over Copper 20 |
| Lock Washer | Brass            | Gold 4 Over Nickel-Phosphorus Alloy 80 Over Copper 20 |
| Contact Pin | Beryllium Copper | Gold 4 Over Nickel-Phosphorus Alloy 80 Over Copper 20 |
| Insulator   | Teflon           |   |
| Body        | Brass            | Gold 4 Over Nickel-Phosphorus Alloy 80 Over Copper 20 |

|                |  |
|----------------|--|
| Weight: 3.76 g |  |
|----------------|--|

This part number complies with RoHS.  
 Notice: JYEBAO reserves the right to make modifications deemed appropriate.

|  |   |                           |  |                                 |                 |                              |                                      |                           |                         |                     |                                      |                       |           |  |            |                                |           |
|--|---|---------------------------|--|---------------------------------|-----------------|------------------------------|--------------------------------------|---------------------------|-------------------------|---------------------|--------------------------------------|-----------------------|-----------|--|------------|--------------------------------|-----------|
| AD-A8A8-BF-G   | SMA Jack To SMA Jack Bulkhead<br>IP67 Mated; 18GHz VSWR 1.2 |                           |  |                                 |                 |                              |                                      |                           |                         |                     |                                      |                       |           |  |            |                                |           |
| <table border="0"> <tr> <td colspan="2" data-bbox="129 342 531 392"><b>Interface</b></td> </tr> <tr> <td data-bbox="129 398 774 436">Standard</td> <td data-bbox="774 398 1481 436">MIL-STD-348B</td> </tr> <tr> <td data-bbox="129 443 774 481">Mechanically compatible with</td> <td data-bbox="774 443 1481 481">2.92 &amp; 3.5</td> </tr> </table>   |   | <b>Interface</b>          |  | Standard                        | MIL-STD-348B    | Mechanically compatible with | 2.92 & 3.5                           |                           |                         |                     |                                      |                       |           |  |            |                                |           |
| <b>Interface</b>   |   |                           |  |                                 |                 |                              |                                      |                           |                         |                     |                                      |                       |           |  |            |                                |           |
| Standard   | MIL-STD-348B  |                           |  |                                 |                 |                              |                                      |                           |                         |                     |                                      |                       |           |  |            |                                |           |
| Mechanically compatible with   | 2.92 & 3.5  |                           |  |                                 |                 |                              |                                      |                           |                         |                     |                                      |                       |           |  |            |                                |           |
| <table border="0"> <tr> <td colspan="2" data-bbox="129 602 531 651"><b>Electrical Data</b></td> </tr> <tr> <td data-bbox="129 658 774 696">Impedance</td> <td data-bbox="774 658 1481 696">50Ω</td> </tr> <tr> <td data-bbox="129 703 774 741">Frequency Range</td> <td data-bbox="774 703 1481 741">DC To 18GHz</td> </tr> <tr> <td data-bbox="129 748 774 786">VSWR</td> <td data-bbox="774 748 1481 786">≤ 1.2 (DC To 18GHz)</td> </tr> <tr> <td data-bbox="129 792 774 831">Insertion Loss</td> <td data-bbox="774 792 1481 831">≤ 0.04 x √f(GHz) dB</td> </tr> <tr> <td data-bbox="129 837 774 875">Insulation Resistance</td> <td data-bbox="774 837 1481 875">≥ 5000MΩ</td> </tr> <tr> <td data-bbox="129 882 774 920">Dielectric Withstanding Voltage (at sea level)</td> <td data-bbox="774 882 1481 920">1500 V rms</td> </tr> <tr> <td data-bbox="129 927 774 965">Working Voltage (at sea level)</td> <td data-bbox="774 927 1481 965">500 V rms</td> </tr> </table> |   | <b>Electrical Data</b>    |  | Impedance                       | 50Ω             | Frequency Range              | DC To 18GHz                          | VSWR                      | ≤ 1.2 (DC To 18GHz)     | Insertion Loss      | ≤ 0.04 x √f(GHz) dB                  | Insulation Resistance | ≥ 5000MΩ  | Dielectric Withstanding Voltage (at sea level) | 1500 V rms | Working Voltage (at sea level) | 500 V rms |
| <b>Electrical Data</b>   |   |                           |  |                                 |                 |                              |                                      |                           |                         |                     |                                      |                       |           |  |            |                                |           |
| Impedance  | 50Ω   |                           |  |                                 |                 |                              |                                      |                           |                         |                     |                                      |                       |           |  |            |                                |           |
| Frequency Range  | DC To 18GHz   |                           |  |                                 |                 |                              |                                      |                           |                         |                     |                                      |                       |           |  |            |                                |           |
| VSWR   | ≤ 1.2 (DC To 18GHz)   |                           |  |                                 |                 |                              |                                      |                           |                         |                     |                                      |                       |           |  |            |                                |           |
| Insertion Loss   | ≤ 0.04 x √f(GHz) dB   |                           |  |                                 |                 |                              |                                      |                           |                         |                     |                                      |                       |           |  |            |                                |           |
| Insulation Resistance  | ≥ 5000MΩ  |                           |  |                                 |                 |                              |                                      |                           |                         |                     |                                      |                       |           |  |            |                                |           |
| Dielectric Withstanding Voltage (at sea level)   | 1500 V rms  |                           |  |                                 |                 |                              |                                      |                           |                         |                     |                                      |                       |           |  |            |                                |           |
| Working Voltage (at sea level)   | 500 V rms   |                           |  |                                 |                 |                              |                                      |                           |                         |                     |                                      |                       |           |  |            |                                |           |
| <table border="0"> <tr> <td colspan="2" data-bbox="129 1099 531 1149"><b>Mechanical Data</b></td> </tr> <tr> <td data-bbox="129 1155 774 1193">Recommended Coupling Nut Torque</td> <td data-bbox="774 1155 1481 1193">4 in-lbs</td> </tr> <tr> <td data-bbox="129 1200 774 1238">Coupling Proof Torque</td> <td data-bbox="774 1200 1481 1238">5.3 in-lbs</td> </tr> <tr> <td data-bbox="129 1245 774 1283">Contact Captivation-axial</td> <td data-bbox="774 1245 1481 1283">≥ 6.1 lbs</td> </tr> <tr> <td data-bbox="129 1290 774 1328">Durability (mating)</td> <td data-bbox="774 1290 1481 1328">≥ 100</td> </tr> </table>   |   | <b>Mechanical Data</b>    |  | Recommended Coupling Nut Torque | 4 in-lbs        | Coupling Proof Torque        | 5.3 in-lbs                           | Contact Captivation-axial | ≥ 6.1 lbs               | Durability (mating) | ≥ 100                                |                       |           |  |            |                                |           |
| <b>Mechanical Data</b>   |   |                           |  |                                 |                 |                              |                                      |                           |                         |                     |                                      |                       |           |  |            |                                |           |
| Recommended Coupling Nut Torque  | 4 in-lbs  |                           |  |                                 |                 |                              |                                      |                           |                         |                     |                                      |                       |           |  |            |                                |           |
| Coupling Proof Torque  | 5.3 in-lbs  |                           |  |                                 |                 |                              |                                      |                           |                         |                     |                                      |                       |           |  |            |                                |           |
| Contact Captivation-axial  | ≥ 6.1 lbs   |                           |  |                                 |                 |                              |                                      |                           |                         |                     |                                      |                       |           |  |            |                                |           |
| Durability (mating)  | ≥ 100   |                           |  |                                 |                 |                              |                                      |                           |                         |                     |                                      |                       |           |  |            |                                |           |
| <table border="0"> <tr> <td colspan="2" data-bbox="129 1503 531 1552"><b>Environmental Data</b></td> </tr> <tr> <td data-bbox="129 1559 774 1597">Temperature Range</td> <td data-bbox="774 1559 1481 1597">-65°C to +165°C</td> </tr> <tr> <td data-bbox="129 1603 774 1641">Thermal Shock</td> <td data-bbox="774 1603 1481 1641">MIL-STD-202, Method 107, Condition B</td> </tr> <tr> <td data-bbox="129 1648 774 1686">Moisture Resistance</td> <td data-bbox="774 1648 1481 1686">MIL-STD-202, Method 206</td> </tr> <tr> <td data-bbox="129 1693 774 1731">Corrosion</td> <td data-bbox="774 1693 1481 1731">MIL-STD-202, Method 101, Condition B</td> </tr> <tr> <td data-bbox="129 1738 774 1776">RoHS</td> <td data-bbox="774 1738 1481 1776">Compliant</td> </tr> </table>   |   | <b>Environmental Data</b> |  | Temperature Range               | -65°C to +165°C | Thermal Shock                | MIL-STD-202, Method 107, Condition B | Moisture Resistance       | MIL-STD-202, Method 206 | Corrosion           | MIL-STD-202, Method 101, Condition B | RoHS                  | Compliant |  |            |                                |           |
| <b>Environmental Data</b>  |   |                           |  |                                 |                 |                              |                                      |                           |                         |                     |                                      |                       |           |  |            |                                |           |
| Temperature Range  | -65°C to +165°C   |                           |  |                                 |                 |                              |                                      |                           |                         |                     |                                      |                       |           |  |            |                                |           |
| Thermal Shock  | MIL-STD-202, Method 107, Condition B                        |                           |  |                                 |                 |                              |                                      |                           |                         |                     |                                      |                       |           |  |            |                                |           |
| Moisture Resistance  | MIL-STD-202, Method 206                                     |                           |  |                                 |                 |                              |                                      |                           |                         |                     |                                      |                       |           |  |            |                                |           |
| Corrosion  | MIL-STD-202, Method 101, Condition B                        |                           |  |                                 |                 |                              |                                      |                           |                         |                     |                                      |                       |           |  |            |                                |           |
| RoHS   | Compliant   |                           |  |                                 |                 |                              |                                      |                           |                         |                     |                                      |                       |           |  |            |                                |           |

# AD-A8A8-BF-G

