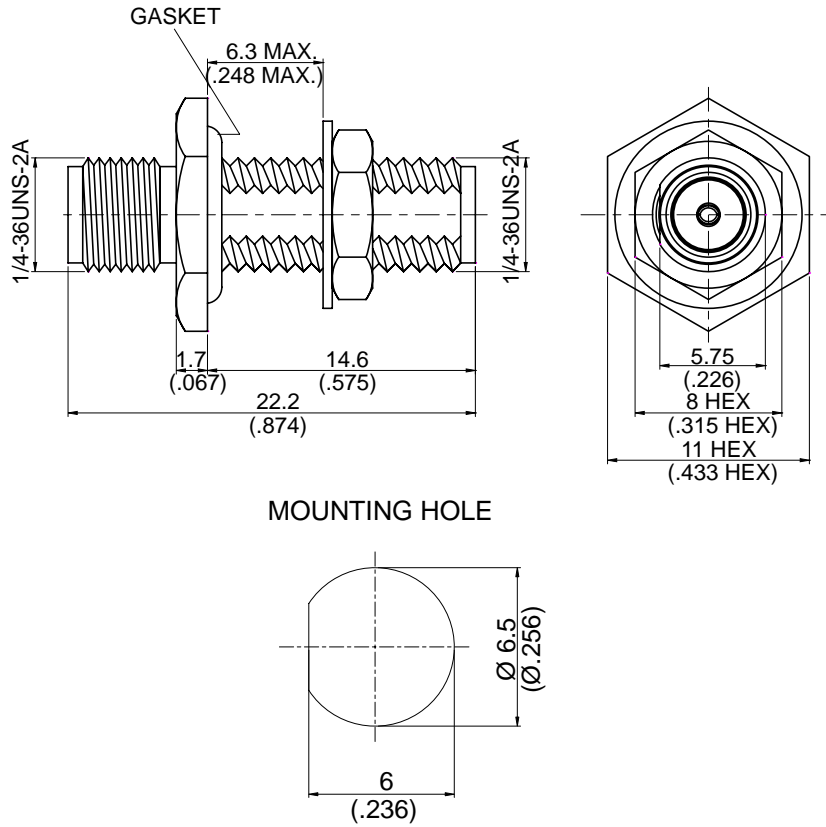


AD-A8A8-BF-G/HS

Hermetic 1×10^{-6} cc/sec of helium at 1atm
SMA Jack to SMA Jack Bulkhead, 18GHz VSWR 1.2 **50Ω**



Hermetic 1×10^{-6} cc/sec at 1atm of helium

Parts	Material	Plating (Micro-inch)
Gasket	Silicone	
Hex Nut	Brass	Gold 4 Over Nickel-Phosphorus Alloy 80 Over Copper 20
Lock Washer	Brass	Gold 4 Over Nickel-Phosphorus Alloy 80 Over Copper 20
Contact Pin	Beryllium Copper	Gold 4 Over Nickel-Phosphorus Alloy 80 Over Copper 20
Insulator	Teflon	
Body	Brass	Gold 4 Over Nickel-Phosphorus Alloy 80 Over Copper 20

This part number complies with RoHS.

Notice: JYBAO reserves the right to make modifications deemed appropriate.

AD-A8A8-BF-G/HS	Hermetic 1*10 ⁻⁶ cc/sec of helium at 1atm SMA Jack to SMA Jack Bulkhead, 18GHz VSWR 1.2																
<table border="0"> <tr> <td colspan="2" data-bbox="129 342 531 392">Interface</td> </tr> <tr> <td data-bbox="129 398 766 436">Standard</td> <td data-bbox="766 398 1479 436">MIL-STD-348B</td> </tr> <tr> <td data-bbox="129 443 766 481">Mechanically compatible with</td> <td data-bbox="766 443 1479 481">2.92 & 3.5</td> </tr> </table>		Interface		Standard	MIL-STD-348B	Mechanically compatible with	2.92 & 3.5										
Interface																	
Standard	MIL-STD-348B																
Mechanically compatible with	2.92 & 3.5																
<table border="0"> <tr> <td colspan="2" data-bbox="129 604 531 654">Electrical Data</td> </tr> <tr> <td data-bbox="129 660 766 698">Impedance</td> <td data-bbox="766 660 1479 698">50Ω</td> </tr> <tr> <td data-bbox="129 705 766 743">Frequency Range</td> <td data-bbox="766 705 1479 743">DC To 18GHz</td> </tr> <tr> <td data-bbox="129 750 766 788">VSWR</td> <td data-bbox="766 750 1479 788">≤ 1.2 (DC To 18GHz)</td> </tr> <tr> <td data-bbox="129 795 766 833">Insertion Loss</td> <td data-bbox="766 795 1479 833">≤ 0.04 x √f(GHz) dB</td> </tr> <tr> <td data-bbox="129 840 766 878">Insulation Resistance</td> <td data-bbox="766 840 1479 878">≥ 5000MΩ</td> </tr> <tr> <td data-bbox="129 884 766 922">Dielectric Withstanding Voltage (at sea level)</td> <td data-bbox="766 884 1479 922">1500 V rms</td> </tr> <tr> <td data-bbox="129 929 766 967">Working Voltage (at sea level)</td> <td data-bbox="766 929 1479 967">500 V rms</td> </tr> </table>		Electrical Data		Impedance	50Ω	Frequency Range	DC To 18GHz	VSWR	≤ 1.2 (DC To 18GHz)	Insertion Loss	≤ 0.04 x √f(GHz) dB	Insulation Resistance	≥ 5000MΩ	Dielectric Withstanding Voltage (at sea level)	1500 V rms	Working Voltage (at sea level)	500 V rms
Electrical Data																	
Impedance	50Ω																
Frequency Range	DC To 18GHz																
VSWR	≤ 1.2 (DC To 18GHz)																
Insertion Loss	≤ 0.04 x √f(GHz) dB																
Insulation Resistance	≥ 5000MΩ																
Dielectric Withstanding Voltage (at sea level)	1500 V rms																
Working Voltage (at sea level)	500 V rms																
<table border="0"> <tr> <td colspan="2" data-bbox="129 1102 531 1151">Mechanical Data</td> </tr> <tr> <td data-bbox="129 1158 766 1196">Recommended Coupling Nut Torque</td> <td data-bbox="766 1158 1479 1196">4 in-lbs</td> </tr> <tr> <td data-bbox="129 1202 766 1240">Coupling Proof Torque</td> <td data-bbox="766 1202 1479 1240">5.3 in-lbs</td> </tr> <tr> <td data-bbox="129 1247 766 1285">Contact Captivation-axial</td> <td data-bbox="766 1247 1479 1285">≥ 6.1 lbs</td> </tr> <tr> <td data-bbox="129 1292 766 1330">Durability (mating)</td> <td data-bbox="766 1292 1479 1330">≥ 100</td> </tr> </table>		Mechanical Data		Recommended Coupling Nut Torque	4 in-lbs	Coupling Proof Torque	5.3 in-lbs	Contact Captivation-axial	≥ 6.1 lbs	Durability (mating)	≥ 100						
Mechanical Data																	
Recommended Coupling Nut Torque	4 in-lbs																
Coupling Proof Torque	5.3 in-lbs																
Contact Captivation-axial	≥ 6.1 lbs																
Durability (mating)	≥ 100																
<table border="0"> <tr> <td colspan="2" data-bbox="129 1503 531 1552">Environmental Data</td> </tr> <tr> <td data-bbox="129 1559 766 1597">Temperature Range</td> <td data-bbox="766 1559 1479 1597">-65°C to +165°C</td> </tr> <tr> <td data-bbox="129 1603 766 1641">Thermal Shock</td> <td data-bbox="766 1603 1479 1641">MIL-STD-202, Method 107, Condition B</td> </tr> <tr> <td data-bbox="129 1648 766 1686">Moisture Resistance</td> <td data-bbox="766 1648 1479 1686">MIL-STD-202, Method 206</td> </tr> <tr> <td data-bbox="129 1693 766 1731">Corrosion</td> <td data-bbox="766 1693 1479 1731">MIL-STD-202, Method 101, Condition B</td> </tr> <tr> <td data-bbox="129 1738 766 1776">RoHS</td> <td data-bbox="766 1738 1479 1776">Compliant</td> </tr> </table>		Environmental Data		Temperature Range	-65°C to +165°C	Thermal Shock	MIL-STD-202, Method 107, Condition B	Moisture Resistance	MIL-STD-202, Method 206	Corrosion	MIL-STD-202, Method 101, Condition B	RoHS	Compliant				
Environmental Data																	
Temperature Range	-65°C to +165°C																
Thermal Shock	MIL-STD-202, Method 107, Condition B																
Moisture Resistance	MIL-STD-202, Method 206																
Corrosion	MIL-STD-202, Method 101, Condition B																
RoHS	Compliant																

AD-A8A8-BF-G/HS

