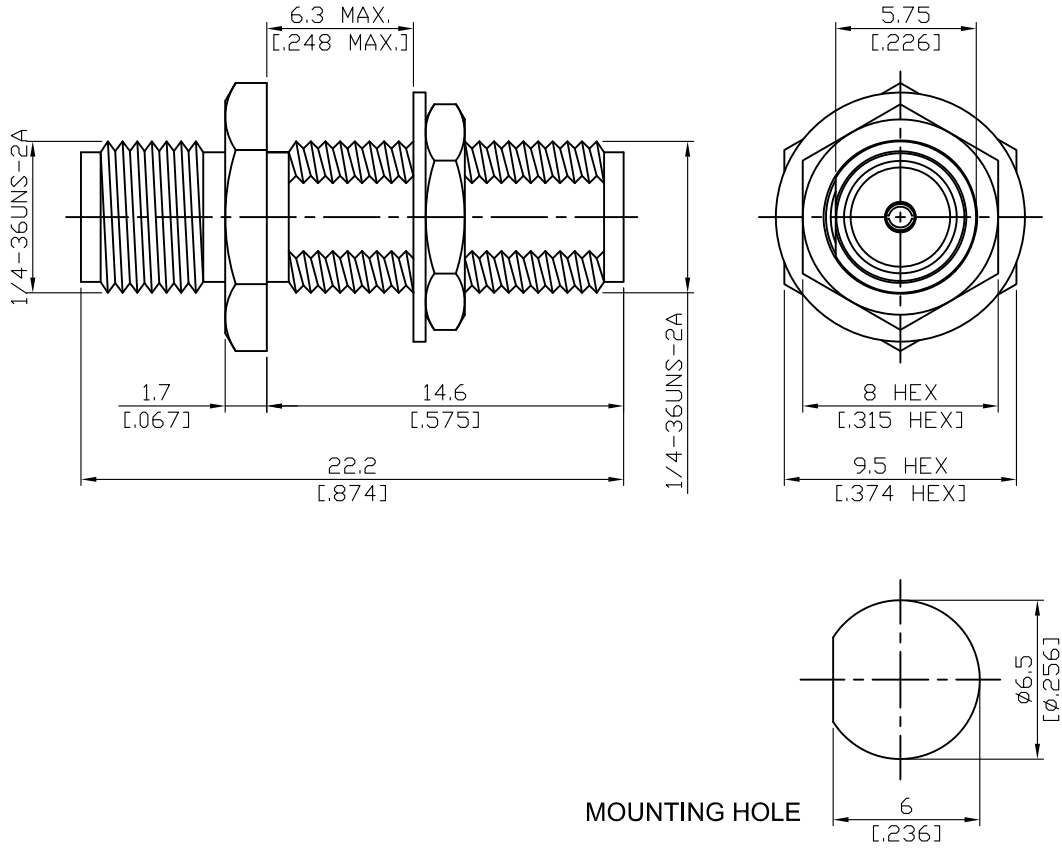


AD-A8A8-BF-27-1.25	SMA Jack To SMA Jack Bulkhead 27GHz VSWR 1.25	50Ω
--------------------	--	-----



Parts	Material	Plating ( Micro-inch )
Hex Nut	Brass	Gold 4 Over Nickel-Phosphorus Alloy 80 Over Copper 20
Lock Washer	Brass	Gold 4 Over Nickel-Phosphorus Alloy 80 Over Copper 20
Contact Pin	Beryllium Copper	Gold 4 Over Nickel-Phosphorus Alloy 80 Over Copper 20
Insulator	Teflon	
Body	Brass	Gold 4 Over Nickel-Phosphorus Alloy 80 Over Copper 20

Weight: 3.92g	
---------------	--

This part number complies with RoHS.

Notice: JYEBAO reserves the right to make modifications deemed appropriate.

AD-A8A8-BF-27-1.25	SMA Jack To SMA Jack Bulkhead 27GHz VSWR 1.25																
<table border="0"> <tr> <td colspan="2" data-bbox="129 342 531 394"><b>Interface</b></td> </tr> <tr> <td data-bbox="129 405 774 439">Standard</td> <td data-bbox="774 405 1479 439">MIL-STD-348B</td> </tr> <tr> <td data-bbox="129 450 774 483">Mechanically compatible with</td> <td data-bbox="774 450 1479 483">2.92 &amp; 3.5</td> </tr> </table>		<b>Interface</b>		Standard	MIL-STD-348B	Mechanically compatible with	2.92 & 3.5										
<b>Interface</b>																	
Standard	MIL-STD-348B																
Mechanically compatible with	2.92 & 3.5																
<table border="0"> <tr> <td colspan="2" data-bbox="129 607 531 658"><b>Electrical Data</b></td> </tr> <tr> <td data-bbox="129 663 774 696">Impedance</td> <td data-bbox="774 663 1479 696">50Ω</td> </tr> <tr> <td data-bbox="129 707 774 741">Frequency Range</td> <td data-bbox="774 707 1479 741">DC To 27GHz</td> </tr> <tr> <td data-bbox="129 752 774 786">VSWR</td> <td data-bbox="774 752 1479 786">≤ 1.25 (DC To 27GHz)</td> </tr> <tr> <td data-bbox="129 797 774 831">Insertion Loss</td> <td data-bbox="774 797 1479 831">≤ 0.04 x √f(GHz) dB</td> </tr> <tr> <td data-bbox="129 842 774 875">Insulation Resistance</td> <td data-bbox="774 842 1479 875">≥ 5000MΩ</td> </tr> <tr> <td data-bbox="129 887 774 920">Dielectric Withstanding Voltage (at sea level)</td> <td data-bbox="774 887 1479 920">1500 V rms</td> </tr> <tr> <td data-bbox="129 931 774 965">Working Voltage (at sea level)</td> <td data-bbox="774 931 1479 965">500 V rms</td> </tr> </table>		<b>Electrical Data</b>		Impedance	50Ω	Frequency Range	DC To 27GHz	VSWR	≤ 1.25 (DC To 27GHz)	Insertion Loss	≤ 0.04 x √f(GHz) dB	Insulation Resistance	≥ 5000MΩ	Dielectric Withstanding Voltage (at sea level)	1500 V rms	Working Voltage (at sea level)	500 V rms
<b>Electrical Data</b>																	
Impedance	50Ω																
Frequency Range	DC To 27GHz																
VSWR	≤ 1.25 (DC To 27GHz)																
Insertion Loss	≤ 0.04 x √f(GHz) dB																
Insulation Resistance	≥ 5000MΩ																
Dielectric Withstanding Voltage (at sea level)	1500 V rms																
Working Voltage (at sea level)	500 V rms																
<table border="0"> <tr> <td colspan="2" data-bbox="129 1106 531 1158"><b>Mechanical Data</b></td> </tr> <tr> <td data-bbox="129 1162 774 1196">Recommended Coupling Nut Torque</td> <td data-bbox="774 1162 1479 1196">4 in-lbs</td> </tr> <tr> <td data-bbox="129 1207 774 1240">Coupling Proof Torque</td> <td data-bbox="774 1207 1479 1240">5.3 in-lbs</td> </tr> <tr> <td data-bbox="129 1252 774 1285">Contact Captivation-axial</td> <td data-bbox="774 1252 1479 1285">≥ 6.1 lbs</td> </tr> <tr> <td data-bbox="129 1296 774 1330">Durability (mating)</td> <td data-bbox="774 1296 1479 1330">≥ 100</td> </tr> </table>		<b>Mechanical Data</b>		Recommended Coupling Nut Torque	4 in-lbs	Coupling Proof Torque	5.3 in-lbs	Contact Captivation-axial	≥ 6.1 lbs	Durability (mating)	≥ 100						
<b>Mechanical Data</b>																	
Recommended Coupling Nut Torque	4 in-lbs																
Coupling Proof Torque	5.3 in-lbs																
Contact Captivation-axial	≥ 6.1 lbs																
Durability (mating)	≥ 100																
<table border="0"> <tr> <td colspan="2" data-bbox="129 1507 531 1559"><b>Environmental Data</b></td> </tr> <tr> <td data-bbox="129 1563 774 1597">Temperature Range</td> <td data-bbox="774 1563 1479 1597">-65°C to +165°C</td> </tr> <tr> <td data-bbox="129 1608 774 1641">Thermal Shock</td> <td data-bbox="774 1608 1479 1641">MIL-STD-202, Method 107, Condition B</td> </tr> <tr> <td data-bbox="129 1653 774 1686">Moisture Resistance</td> <td data-bbox="774 1653 1479 1686">MIL-STD-202, Method 206</td> </tr> <tr> <td data-bbox="129 1697 774 1731">Corrosion</td> <td data-bbox="774 1697 1479 1731">MIL-STD-202, Method 101, Condition B</td> </tr> <tr> <td data-bbox="129 1742 774 1776">RoHS</td> <td data-bbox="774 1742 1479 1776">Compliant</td> </tr> </table>		<b>Environmental Data</b>		Temperature Range	-65°C to +165°C	Thermal Shock	MIL-STD-202, Method 107, Condition B	Moisture Resistance	MIL-STD-202, Method 206	Corrosion	MIL-STD-202, Method 101, Condition B	RoHS	Compliant				
<b>Environmental Data</b>																	
Temperature Range	-65°C to +165°C																
Thermal Shock	MIL-STD-202, Method 107, Condition B																
Moisture Resistance	MIL-STD-202, Method 206																
Corrosion	MIL-STD-202, Method 101, Condition B																
RoHS	Compliant																