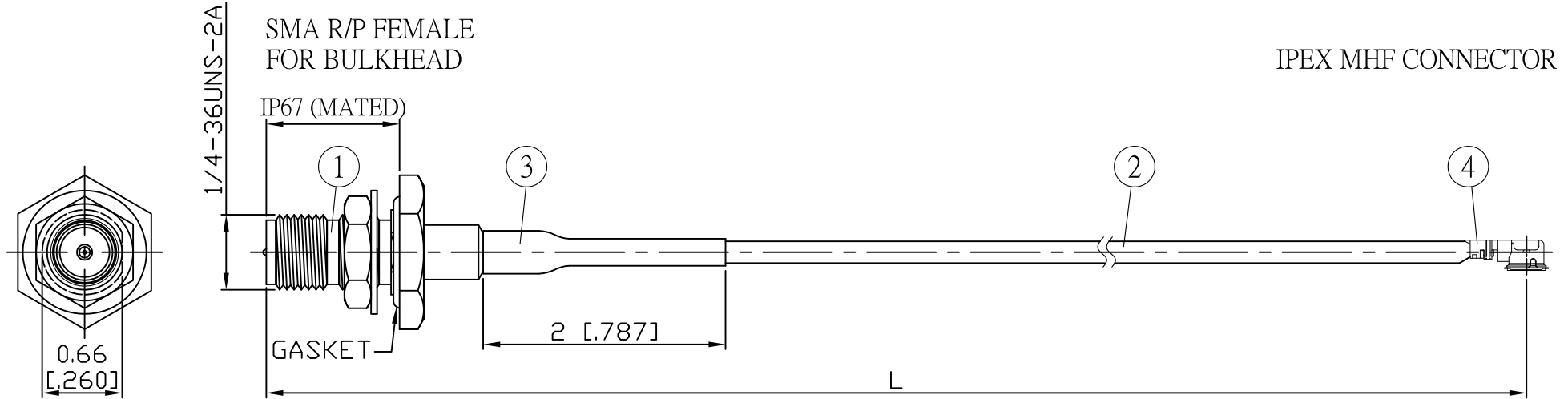
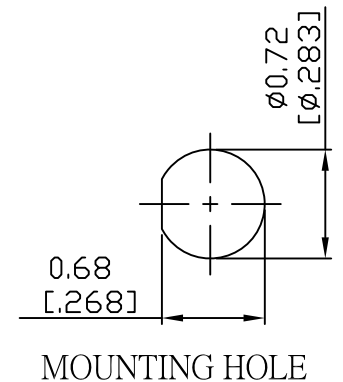


NO.	COMPONENTS	IMPEDANCE
1	SMA REVERSE POLARITY FEMALE FOR BULKHEAD	50 OHM
2	RG178	50 OHM
3	HEAT SHRINKING TUBE	
4	IPEX MHF CONNECTOR	50 OHM

REVISION			
REV.	DESCRIPTON	DATE	APPROVED
-	INITIAL RELEASE	2012/08/15	



JYE BAO P/N	L CM (INCH)	L1 FT (MM)
A95UFL-178-15	15 (5.906)	0.461 (140.5)
A95UFL-178-30	30 (11.811)	0.953 (290.5)
A95UFL-178-50	50 (19.685)	1.609 (490.5)
A95UFL-178-100	100 (39.370)	3.250 (990.5)
A95UFL-178-150	150 (59.055)	4.890 (1490.5)
A95UFL-178-200	200 (78.740)	6.531 (1990.5)
A95UFL-178-XXX	CUSTOM LENGTH IN CM	- - -



					STANDARD	REV -	UNIT CM(INCH)	<b>JYE BAO CO., LTD.</b>	
					APPROVED			TAIPEI TAIWAN	
					CHECKED			DESCRIPTION CABLE ASSEMBLY SMA R/P JACK FOR BULKHEAD TO IPEX MHF CONNECTOR	
					DRAWING			JYE BAO DRAWING NO.	
					Albert			A95UFL-178-XXX	
4	20278-1*1R-18	IPEX CONNECTOR	1	EA	LENGTH TOLERANCE IS ±1.5% OR ±10MM, WHICHEVER IS GREATER.				
3	G5(F)-3.0MM-BLACK	TUBE	0.02	M					
2	RG178	CABLE	L1 (SEE TABLE)	FT					
1	SMA9305-0178	SMA R/P JACK	1	EA					
NO.	PARTS NO.	DESCRIPTION	Q'TY	U/M					