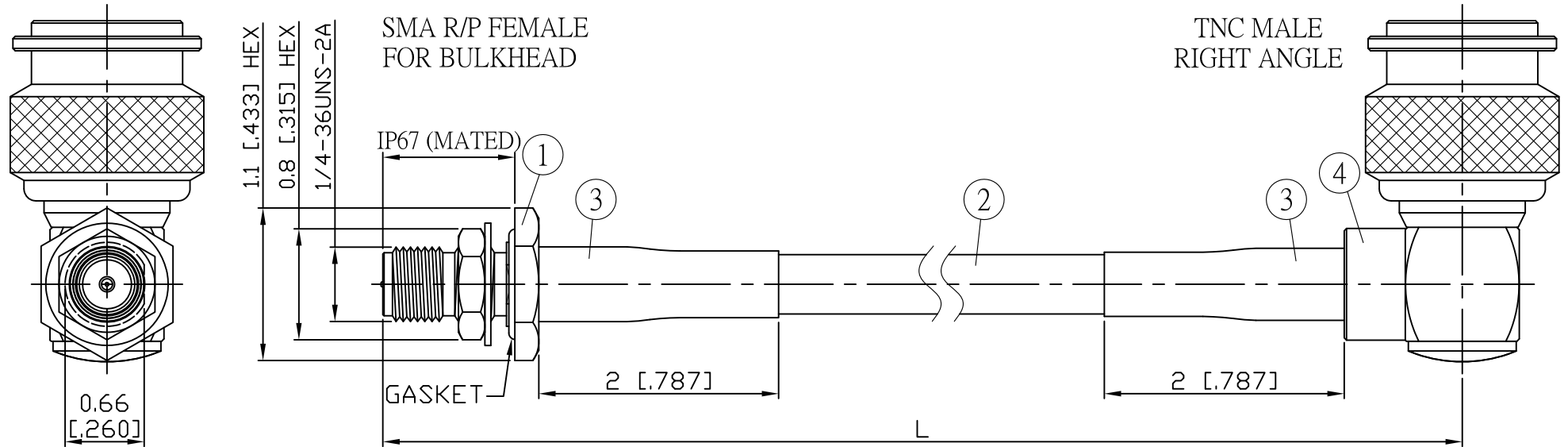
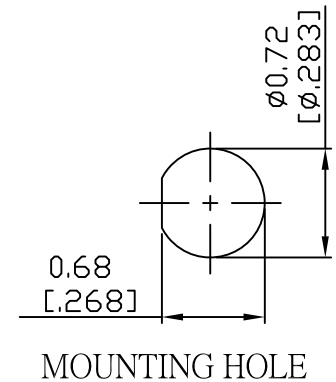


| NO. | COMPONENTS | IMPEDANCE |
|-----|--|-----------|
| 1 | SMA REVERSE POLARITY FEMALE FOR BULKHEAD | 50 OHM |
| 2 | JB Y195 | 50 OHM |
| 3 | HEAT SHRINKING TUBE | |
| 4 | TNC MALE RIGHT ANGLE | 50 OHM |

| REVISION | | | |
|----------|-----------------|------------|----------|
| REV. | DESCRIPTION | DATE | APPROVED |
| - | INITIAL RELEASE | 2012/08/15 | |
| A | 修正SMA螺紋規格 | 2013/10/01 | |



| JYE BAO P/N | L CM (INCH) | L1 FT (MM) |
|-----------------|------------------------|----------------|
| A95T39-L195-15 | 15 (5.906) | 0.476 (145.0) |
| A95T39-L195-30 | 30 (11.811) | 0.968 (295.0) |
| A95T39-L195-50 | 50 (19.685) | 1.624 (495.0) |
| A95T39-L195-100 | 100 (39.370) | 3.264 (995.0) |
| A95T39-L195-150 | 150 (59.055) | 4.905 (1495.0) |
| A95T39-L195-200 | 200 (78.740) | 6.545 (1995.0) |
| A95T39-L195-XXX | CUSTOM LENGTH IN CM | - - - |



| | | | | |
|-----|-------------------|--------------|----------------|-----|
| 4 | TNC3100-9058 | TNC PLUG R/A | 1 | EA |
| 3 | G5(F)-8.0MM-BLACK | TUBE | 0.04 | M |
| 2 | JB Y195 | CABLE | L1 (SEE TABLE) | FT |
| 1 | SMA9105-0058 | SMA R/P JACK | 1 | EA |
| NO. | PARTS NO. | DESCRIPTION | Q'TY | U/M |

| | | | | |
|---|-------------------|----------|------------------|---|
| LENGTH TOLERANCE IS $\pm 1.5\%$ OR ± 10 MM, WHICHEVER IS GREATER. | STANDARD | REV A | UNIT CM(INCH) | JYE BAO CO., LTD. TAIPEI TAIWAN |
| | APPROVED | | DATE | |
| | CHECKED | | DATE | |
| | DRAWING Albert | | DATE | |
| | | | | DESCRIPTION CABLE ASSEMBLY SMA R/P JACK FOR BULKHEAD TO TNC PLUG R/A |
| | | | | JYE BAO DRAWING NO. A95T39-L195-XXX |