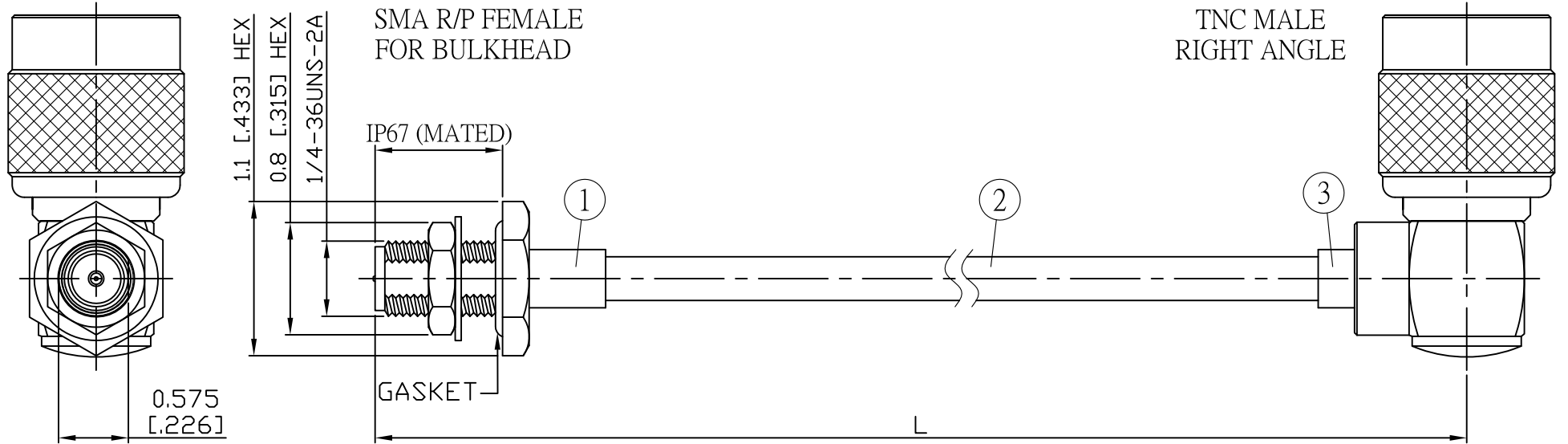
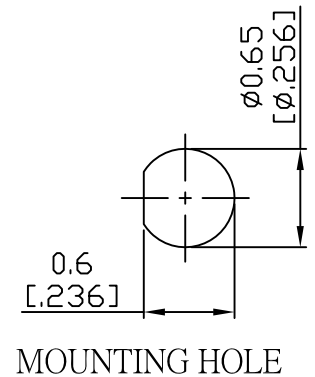


NO.	COMPONENTS	IMPEDANCE
1	SMA REVERSE POLARITY FEMALE FOR BULKHEAD	50 OHM
2	.141" TIN PLATED SEMI-RIGID CABLE (TIN PLATED RG402)	50 OHM
3	TNC MALE RIGHT ANGLE	50 OHM

REVISION			
REV.	DESCRIPTION	DATE	APPROVED
-	INITIAL RELEASE	2012/08/15	
A	修正SMA螺紋規格	2013/10/01	



JYE BAO P/N	L CM (INCH)	L1 FT (MM)
A95T39-141T-15	15 (5.906)	0.476 (145.0)
A95T39-141T-30	30 (11.811)	0.968 (295.0)
A95T39-141T-50	50 (19.685)	1.624 (495.0)
A95T39-141T-100	100 (39.370)	3.264 (995.0)
A95T39-141T-150	150 (59.055)	4.905 (1495.0)
A95T39-141T-200	200 (78.740)	6.545 (1995.0)
A95T39-141T-XXX	CUSTOM LENGTH IN CM	- - -



3	TNC3300-9141	TNC PLUG R/A	1	EA	LENGTH TOLERANCE IS ±1.5% OR ±10MM, WHICHEVER IS GREATER.	STANDARD	REV A	UNIT CM(INCH)	JYE BAO CO., LTD. TAIPEI TAIWAN	
	2	.141TIN-W-P-50	CABLE	L1 (SEE TABLE)		FT	APPROVED	DATE		DESCRIPTION CABLE ASSEMBLY SMA R/P JACK FOR BULKHEAD TO TNC PLUG R/A
	1	SMA9305-0141	SMA R/P JACK	1		EA	CHECKED	DATE		DESCRIPTION CABLE ASSEMBLY SMA R/P JACK FOR BULKHEAD TO TNC PLUG R/A
	NO.	PARTS NO.	DESCRIPTION	Q'TY		U/M	DRAWING Albert	DATE		JYE BAO DRAWING NO. A95T39-141T-XXX