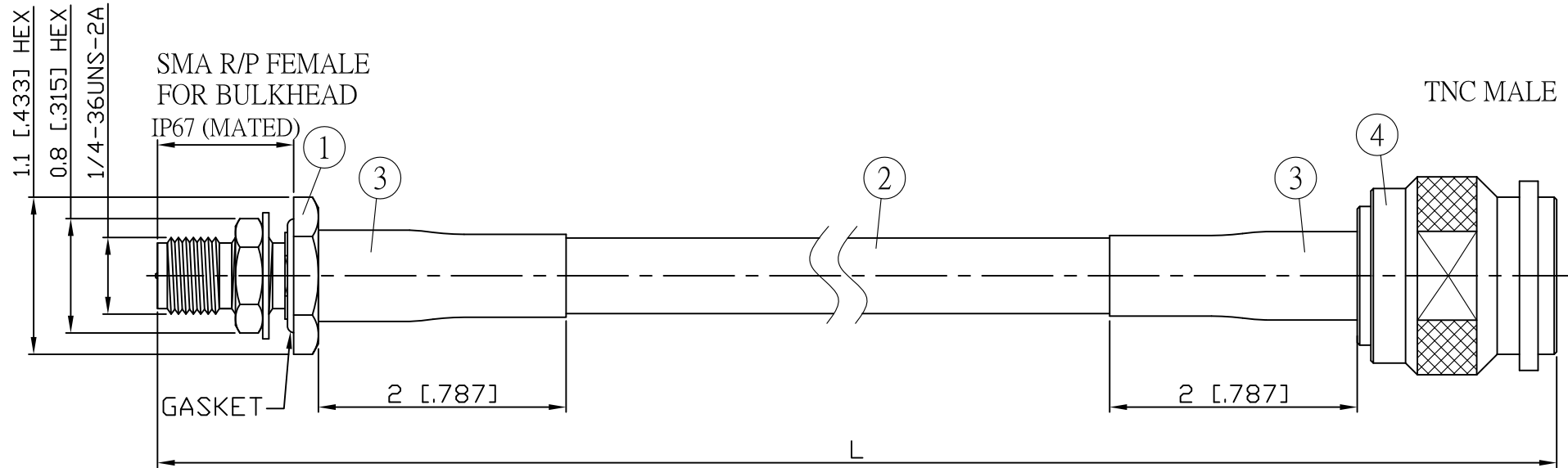
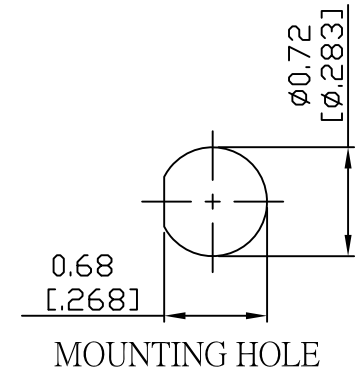


NO.	COMPONENTS	IMPEDANCE
1	SMA REVERSE POLARITY FEMALE FOR BULKHEAD	50 OHM
2	JB Y240	50 OHM
3	HEAT SHRINKING TUBE	
4	TNC MALE	50 OHM

REVISION			
REV.	DESCRIPTION	DATE	APPROVED
-	INITIAL RELEASE	2012/08/15	
A	修正SMA螺紋規格	2013/10/01	



JYE BAO P/N	L CM (INCH)	L1 FT (MM)
A95T30-L240-15	15 (5.906)	0.427 (130.0)
A95T30-L240-30	30 (11.811)	0.919 (280.0)
A95T30-L240-50	50 (19.685)	1.575 (480.0)
A95T30-L240-100	100 (39.370)	3.215 (980.0)
A95T30-L240-150	150 (59.055)	4.856 (1480.0)
A95T30-L240-200	200 (78.740)	6.496 (1980.0)
A95T30-L240-XXX	CUSTOM LENGTH IN CM	- - -



4	TNC3100-L240	TNC PLUG	1	EA
3	G5(F)-8.0MM-BLACK	TUBE	0.04	M
2	JB Y240	CABLE	L1 (SEE TABLE)	FT
1	SMA9105-L240	SMA R/P JACK	1	EA
NO.	PARTS NO.	DESCRIPTION	Q'TY	U/M

LENGTH TOLERANCE IS ±1.5% OR ±10MM, WHICHEVER IS GREATER.	STANDARD	REV A	UNIT CM(INCH)	JYE BAO CO., LTD. TAIPEI TAIWAN
	APPROVED		DATE	
	CHECKED		DATE	
	DRAWING Albert		DATE	
DESCRIPTION CABLE ASSEMBLY SMA R/P JACK FOR BULKHEAD TO TNC PLUG				JYE BAO DRAWING NO. A95T30-L240-XXX
DATE				