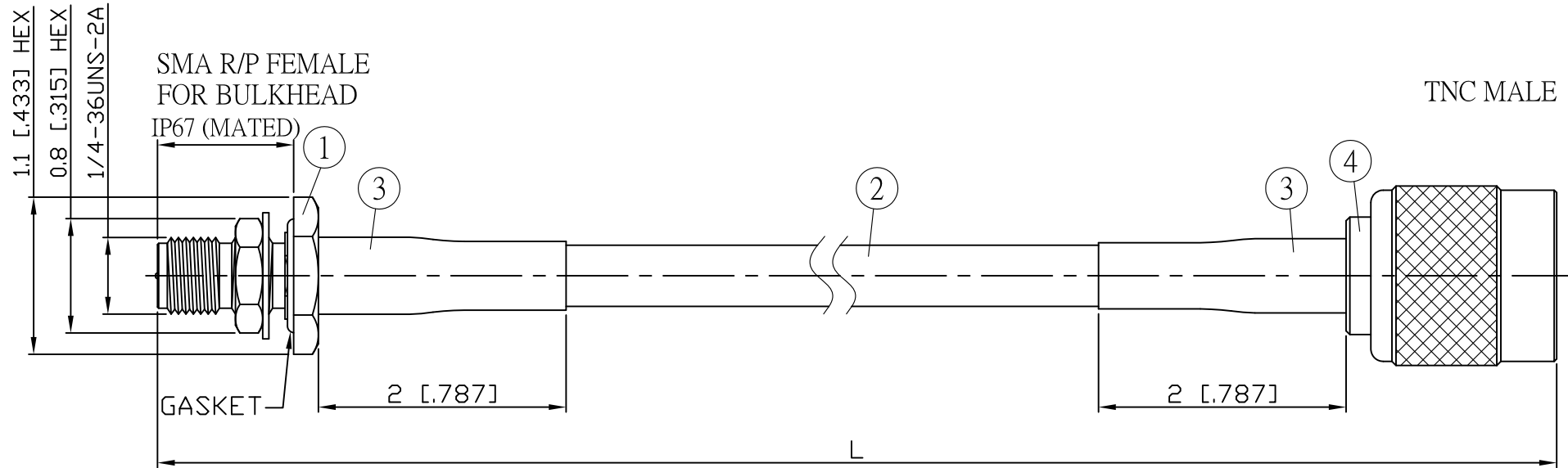
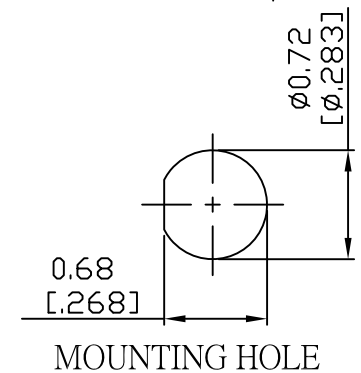


NO.	COMPONENTS	IMPEDANCE
1	SMA REVERSE POLARITY FEMALE FOR BULKHEAD	50 OHM
2	JB Y195	50 OHM
3	HEAT SHRINKING TUBE	
4	TNC MALE	50 OHM

REVISION			
REV.	DESCRIPTION	DATE	APPROVED
-	INITIAL RELEASE	2012/08/15	
A	修正SMA螺紋規格	2013/10/01	



JYE BAO P/N	L CM (INCH)	L1 FT (MM)
A95T30-L195-15	15 (5.906)	0.443 (135.0)
A95T30-L195-30	30 (11.811)	0.935 (285.0)
A95T30-L195-50	50 (19.685)	1.591 (485.0)
A95T30-L195-100	100 (39.370)	3.232 (985.0)
A95T30-L195-150	150 (59.055)	4.872 (1485.0)
A95T30-L195-200	200 (78.740)	6.512 (1985.0)
A95T30-L195-XXX	CUSTOM LENGTH IN CM	- - -



4	TNC3100-0058	TNC PLUG	1	EA
3	G5(F)-8.0MM-BLACK	TUBE	0.04	M
2	JB Y195	CABLE	L1 (SEE TABLE)	FT
1	SMA9105-0058	SMA R/P JACK	1	EA
NO.	PARTS NO.	DESCRIPTION	Q'TY	U/M

LENGTH TOLERANCE IS ±1.5% OR ±10MM, WHICHEVER IS GREATER.	STANDARD	REV A	UNIT CM(INCH)	JYE BAO CO., LTD. TAIPEI TAIWAN
	APPROVED	DATE	DESCRIPTION CABLE ASSEMBLY SMA R/P JACK FOR BULKHEAD TO TNC PLUG	
	CHECKED	DATE	DESCRIPTION CABLE ASSEMBLY SMA R/P JACK FOR BULKHEAD TO TNC PLUG	
	DRAWING Albert	DATE	JYE BAO DRAWING NO. A95T30-L195-XXX	