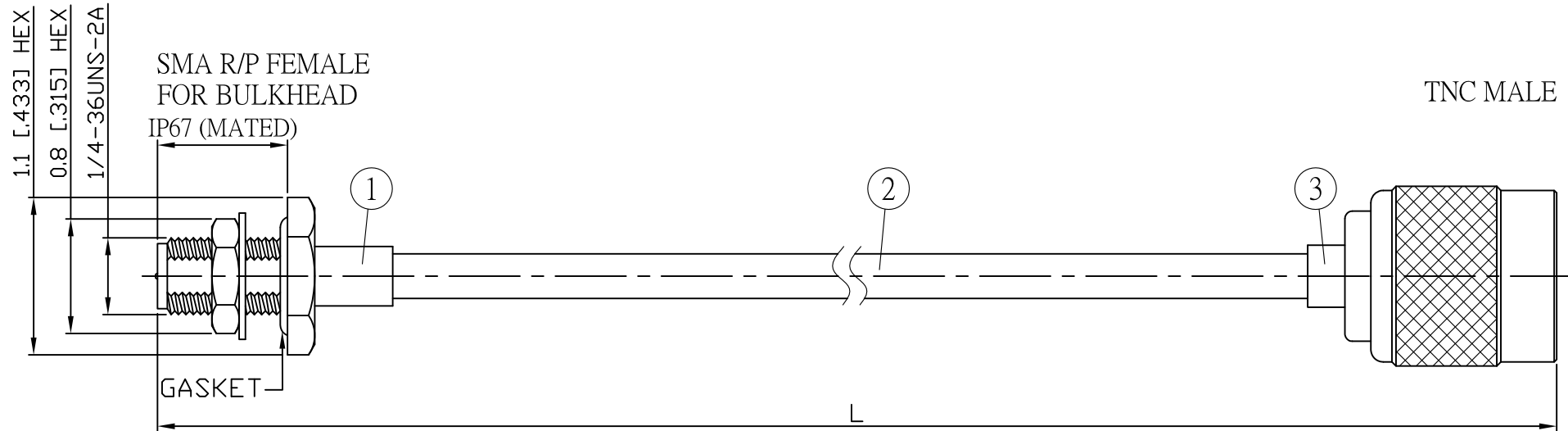
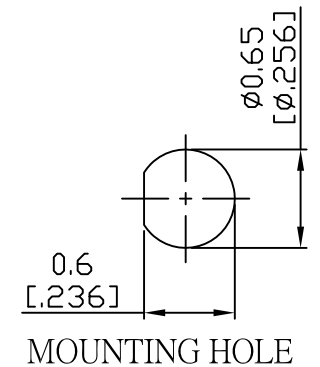


NO.	COMPONENTS	IMPEDANCE
1	SMA REVERSE POLARITY FEMALE FOR BULKHEAD	50 OHM
2	.141" TIN PLATED SEMI-RIGID CABLE (TIN PLATED RG402)	50 OHM
3	TNC MALE	50 OHM

REVISION			
REV.	DESCRIPTON	DATE	APPROVED
-	INITIAL RELEASE	2012/08/15	
A	修正SMA螺紋規格	2013/10/01	



JYE BAO P/N	L CM (INCH)	L1 FT (MM)
A95T30-141T-15	15 (5.906)	0.445 (135.5)
A95T30-141T-30	30 (11.811)	0.937 (285.5)
A95T30-141T-50	50 (19.685)	1.593 (485.5)
A95T30-141T-100	100 (39.370)	3.233 (985.5)
A95T30-141T-150	150 (59.055)	4.874 (1485.5)
A95T30-141T-200	200 (78.740)	6.514 (1985.5)
A95T30-141T-XXX	CUSTOM LENGTH IN CM	- - -



LENGTH TOLERANCE IS $\pm 1.5\%$ OR $\pm 10\text{MM}$ , WHICHEVER IS GREATER.				STANDARD	REV A	UNIT CM(INCH)	<b>JYE BAO CO., LTD.</b> TAIPEI TAIWAN	
				APPROVED				DATE
				CHECKED				DATE
				DRAWING Albert				DATE
3	TNC3300-0141	TNC PLUG	1	EA	DESCRIPTION CABLE ASSEMBLY SMA R/P JACK FOR BULKHEAD TO TNC PLUG		JYE BAO DRAWING NO. A95T30-141T-XXX	
2	.141TIN-W-P-50	CABLE	L1 (SEE TABLE)	FT				
1	SMA9305-0141	SMA R/P JACK	1	EA				
NO.	PARTS NO.	DESCRIPTION	Q'TY	U/M				