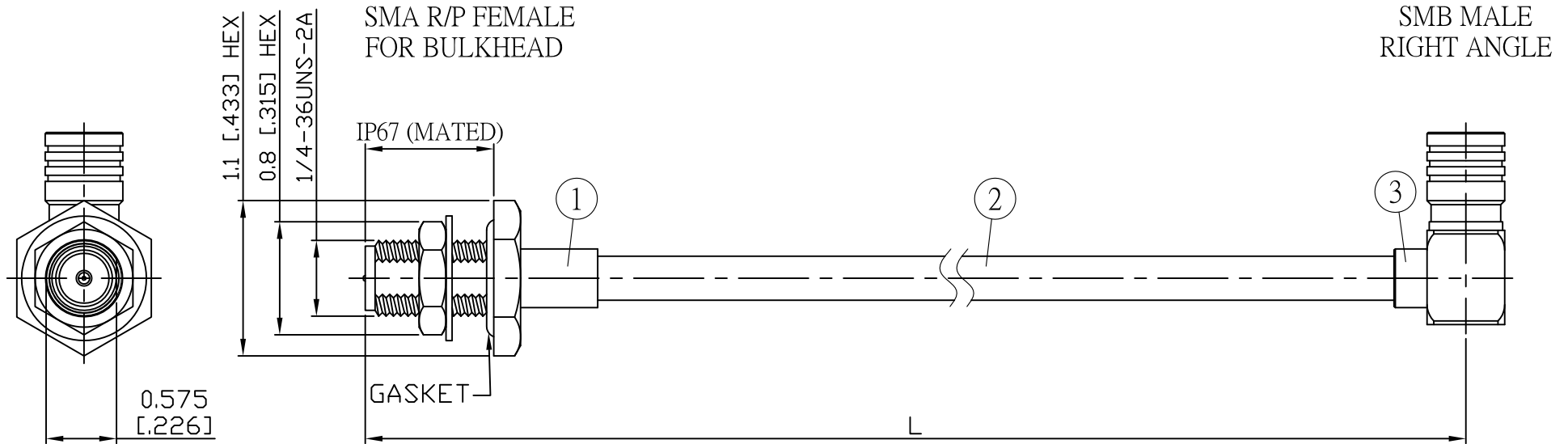
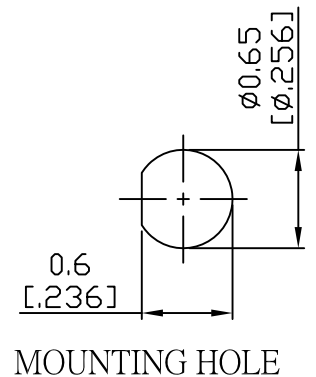


NO.	COMPONENTS	IMPEDANCE
1	SMA REVERSE POLARITY FEMALE FOR BULKHEAD	50 OHM
2	.141" HANDBENDABLE CABLE (= JYEBAO P/N .141SRF-W-P-50)	50 OHM
3	SMB MALE RIGHT ANGLE	50 OHM

REVISION			
REV.	DESCRIPTON	DATE	APPROVED
-	INITIAL RELEASE	2012/08/15	
A	修正SMA螺紋規格	2013/10/01	



JYE BAO P/N	L CM (INCH)	L1 FT (MM)
A95S39-141S-15	15 (5.906)	0.474 (144.5)
A95S39-141S-30	30 (11.811)	0.966 (294.5)
A95S39-141S-50	50 (19.685)	1.622 (494.5)
A95S39-141S-100	100 (39.370)	3.263 (994.5)
A95S39-141S-150	150 (59.055)	4.903 (1494.5)
A95S39-141S-200	200 (78.740)	6.544 (1994.5)
A95S39-141S-XXX	CUSTOM LENGTH IN CM	- - -



					STANDARD	REV A	UNIT CM(INCH)	JYE BAO CO., LTD.	
					APPROVED			TAIPEI TAIWAN	
					CHECKED			DESCRIPTION CABLE ASSEMBLY SMA R/P JACK FOR BULKHEAD TO SMB PLUG R/A	
					DRAWING			JYE BAO DRAWING NO.	
					Albert			A95S39-141S-XXX	
3	SMB3300-9141	SMB PLUG R/A	1	EA	LENGTH TOLERANCE IS ±1.5% OR ±10MM, WHICHEVER IS GREATER.				
2	.141SRF-W-P-50	CABLE	L1 (SEE TABLE)	FT					
1	SMA9305-0141	SMA R/P JACK	1	EA					
NO.	PARTS NO.	DESCRIPTION	Q'TY	U/M					