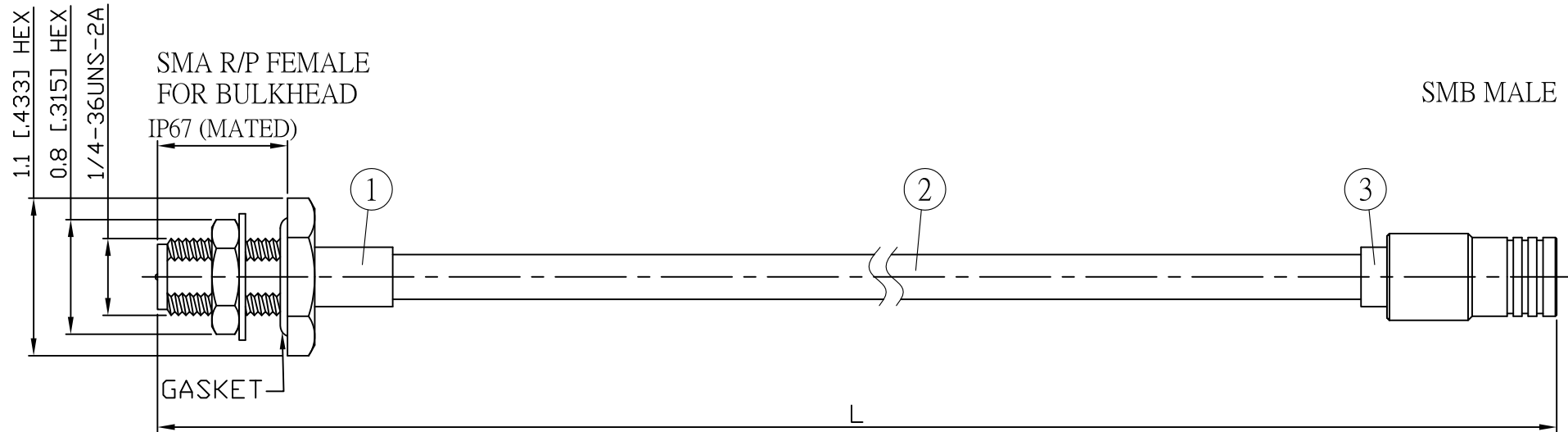
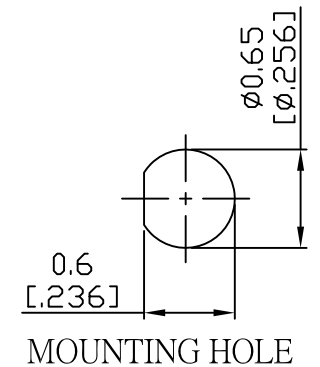


NO.	COMPONENTS	IMPEDANCE
1	SMA REVERSE POLARITY FEMALE FOR BULKHEAD	50 OHM
2	.141" TIN PLATED SEMI-RIGID CABLE (TIN PLATED RG402)	50 OHM
3	SMB MALE	50 OHM

REVISION			
REV.	DESCRIPTON	DATE	APPROVED
-	INITIAL RELEASE	2012/08/15	
A	修正SMA螺紋規格	2013/10/01	



JYE BAO P/N	L CM (INCH)	L1 FT (MM)
A95S30-141T-15	15 (5.906)	0.441 (134.5)
A95S30-141T-30	30 (11.811)	0.933 (284.5)
A95S30-141T-50	50 (19.685)	1.590 (484.5)
A95S30-141T-100	100 (39.370)	3.230 (984.5)
A95S30-141T-150	150 (59.055)	4.870 (1484.5)
A95S30-141T-200	200 (78.740)	6.511 (1984.5)
A95S30-141T-XXX	CUSTOM LENGTH IN CM	- - -



3	SMB3300-0141	SMB PLUG	1	EA
2	.141TIN-W-P-50	CABLE	L1 (SEE TABLE)	FT
1	SMA9305-0141	SMA R/P JACK	1	EA
NO.	PARTS NO.	DESCRIPTION	Q'TY	U/M

LENGTH TOLERANCE IS $\pm 1.5\%$ OR $\pm 10\text{MM}$, WHICHEVER IS GREATER.	STANDARD	REV A	UNIT CM(INCH)	JYE BAO CO., LTD. TAIPEI TAIWAN
	APPROVED	DATE	DESCRIPTION CABLE ASSEMBLY SMA R/P JACK FOR BULKHEAD TO SMB PLUG	
	CHECKED	DATE	DRAWING Albert	DESCRIPTION CABLE ASSEMBLY SMA R/P JACK FOR BULKHEAD TO SMB PLUG
		DATE		JYE BAO DRAWING NO. A95S30-141T-XXX