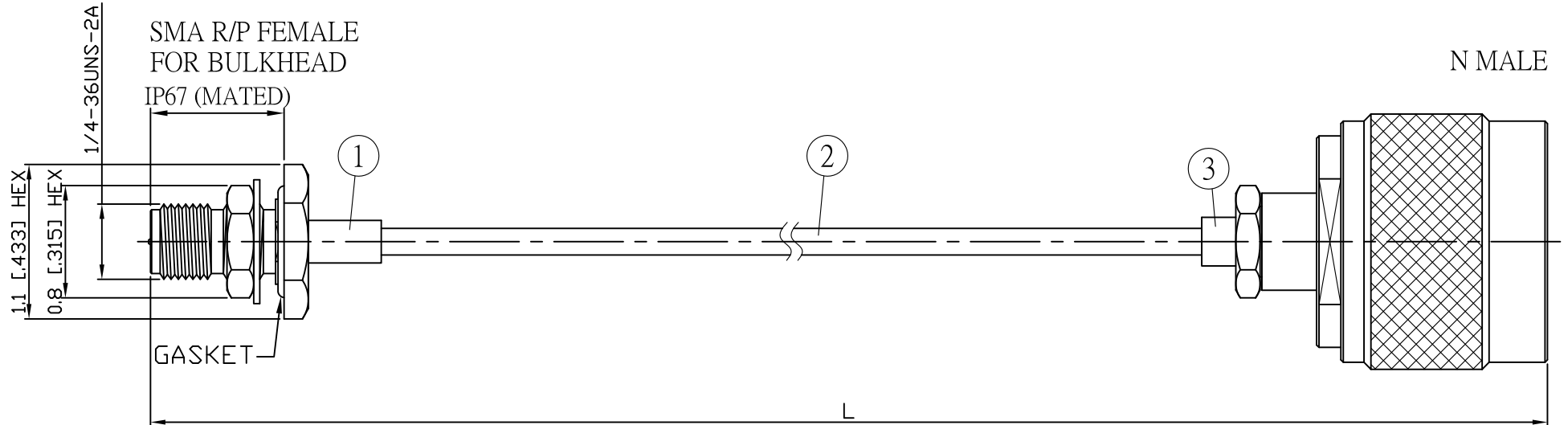
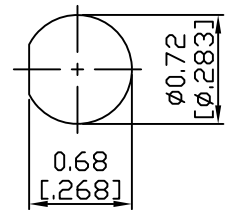


NO.	COMPONENTS	IMPEDANCE
1	SMA REVERSE POLARITY FEMALE FOR BULKHEAD	50 OHM
2	.085" TIN PLATED SEMI-RIGID CABLE (TIN PLATED RG405)	50 OHM
3	N MALE	50 OHM

REVISION			
REV.	DESCRIPTON	DATE	APPROVED
-	INITIAL RELEASE	2011/03/15	
A	修正SMA螺紋規格	2013/10/01	



JYE BAO P/N	L CM (INCH)	L1 FT (MM)
A95N30-85T-15	15 (5.906)	0.430 (131.0)
A95N30-85T-30	30 (11.811)	0.922 (281.0)
A95N30-85T-50	50 (19.685)	1.578 (481.0)
A95N30-85T-100	100 (39.370)	3.219 (981.0)
A95N30-85T-150	150 (59.055)	4.859 (1481.0)
A95N30-85T-200	200 (78.740)	6.499 (1981.0)
A95N30-85T-XXX	CUSTOM LENGTH IN CM	- - -



MOUNTING HOLE

				STANDARD	REV A	UNIT CM(INCH)	JYE BAO CO., LTD. TAIPEI TAIWAN
LENGTH TOLERANCE IS ±1.5% OR ±10MM, WHICHEVER IS GREATER.				APPROVED		DATE	
				CHECKED		DATE	
				DRAWING Albert		DATE	
3	N3300-0085	N PLUG	1	EA	DESCRIPTION CABLE ASSEMBLY SMA R/P JACK FOR BULKHEAD TO N PLUG		
2	.085TIN-W-P-50	CABLE	L1 (SEE TABLE)	FT	JYE BAO DRAWING NO.		
1	SMA9305A-0085	SMA R/P JACK	1	EA	A95N30-85T-XXX		
NO.	PARTS NO.	DESCRIPTION	Q'TY	U/M			