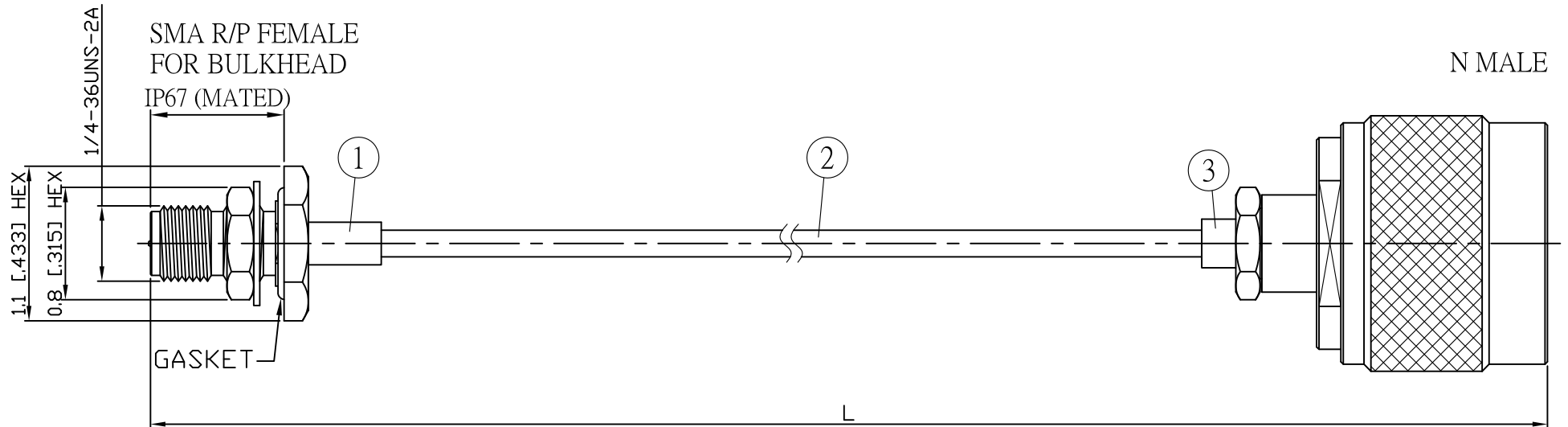
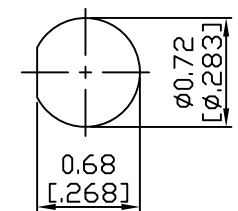


NO.	COMPONENTS	IMPEDANCE
1	SMA REVERSE POLARITY FEMALE FOR BULKHEAD	50 OHM
2	.085" HANDBENDABLE CABLE (= JYEBAO P/N .085SRF-W-P-50)	50 OHM
3	N MALE	50 OHM

REVISION			
REV.	DESCRIPTON	DATE	APPROVED
-	INITIAL RELEASE	2011/03/15	
A	修正SMA螺紋規格	2013/10/01	



JYE BAO P/N	L CM (INCH)	L1 FT (MM)
A95N30-85S-15	15 (5.906)	0.430 (131.0)
A95N30-85S-30	30 (11.811)	0.922 (281.0)
A95N30-85S-50	50 (19.685)	1.578 (481.0)
A95N30-85S-100	100 (39.370)	3.219 (981.0)
A95N30-85S-150	150 (59.055)	4.859 (1481.0)
A95N30-85S-200	200 (78.740)	6.499 (1981.0)
A95N30-85S-XXX	CUSTOM LENGTH IN CM	- - -



MOUNTING HOLE

				STANDARD	REV A	UNIT CM(INCH)	JYE BAO CO., LTD.		
LENGTH TOLERANCE IS $\pm 1.5\%$ OR $\pm 10\text{MM}$, WHICHEVER IS GREATER.				APPROVED			TAIPEI TAIWAN		
				CHECKED			DESCRIPTION	CABLE ASSEMBLY SMA R/P JACK FOR BULKHEAD TO N PLUG	
				DRAWING	Albert		JYE BAO DRAWING NO.	A95N30-85S-XXX	
NO.	PARTS NO.	DESCRIPTION	Q'TY	U/M					
3	N3300-0085	N PLUG	1	EA					
2	.085SRF-W-P-50	CABLE	L1 (SEE TABLE)	FT					
1	SMA9305A-0085	SMA R/P JACK	1	EA					