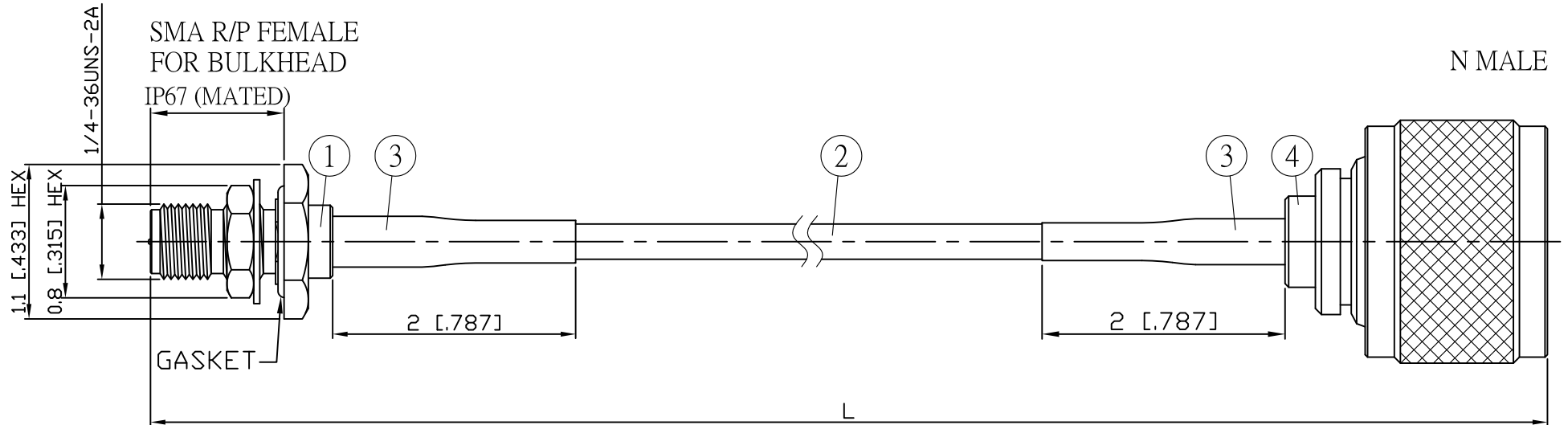
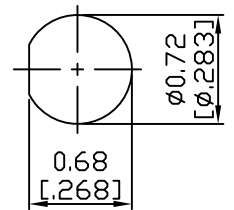


NO.	COMPONENTS	IMPEDANCE
1	SMA REVERSE POLARITY FEMALE FOR BULKHEAD	50 OHM
2	DOUBLE SHIELDED RG316(= RD316)	50 OHM
3	HEAT SHRINKING TUBE	
4	N MALE	50 OHM

REVISION			
REV.	DESCRIPTON	DATE	APPROVED
-	INITIAL RELEASE	2012/08/15	
A	N3100D-0316=>N3100BD-0316 修正SMA螺紋規格	2013/05/23	



JYE BAO P/N	L CM (INCH)	L1 FT (MM)
A95N30-316D-15	15 (5.906)	0.427 (130.0)
A95N30-316D-30	30 (11.811)	0.919 (280.0)
A95N30-316D-50	50 (19.685)	1.575 (480.0)
A95N30-316D-100	100 (39.370)	3.215 (980.0)
A95N30-316D-150	150 (59.055)	4.856 (1480.0)
A95N30-316D-200	200 (78.740)	6.496 (1980.0)
A95N30-316D-XXX	CUSTOM LENGTH IN CM	- - -



MOUNTING HOLE

				STANDARD	REV A	UNIT CM(INCH)	JYE BAO CO., LTD.	
				APPROVED			TAIPEI TAIWAN	
				CHECKED		DATE	DESCRIPTION CABLE ASSEMBLY SMA R/P JACK FOR BULKHEAD TO N PLUG	
				DRAWING	Albert	DATE	JYE BAO DRAWING NO. A95N30-316D-XXX	
4	N3100BD-0316	N PLUG	1	EA	LENGTH TOLERANCE IS ±1.5% OR ±10MM, WHICHEVER IS GREATER.			
3	G5(F)-4.0MM-BLACK	TUBE	0.04	M				
2	RD316	CABLE	L1 (SEE TABLE)	FT				
1	SMA9105D-0316	SMA R/P JACK	1	EA				
NO.	PARTS NO.	DESCRIPTION	Q'TY	U/M				