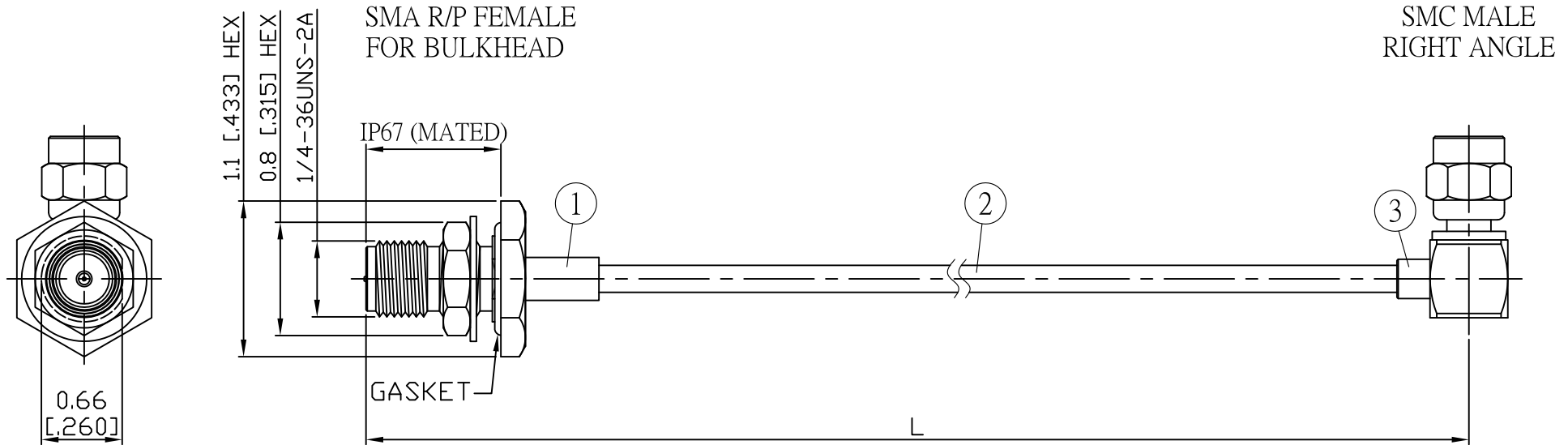
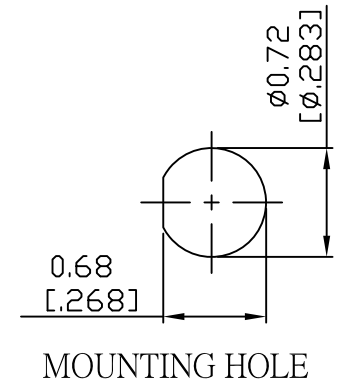


NO.	COMPONENTS	IMPEDANCE
1	SMA REVERSE POLARITY FEMALE FOR BULKHEAD	50 OHM
2	.085" HANDBENDABLE CABLE (= JYEBAO P/N .085SRF-W-P-50)	50 OHM
3	SMC MALE RIGHT ANGLE	50 OHM

REVISION			
REV.	DESCRIPTON	DATE	APPROVED
-	INITIAL RELEASE	2012/08/15	
A	修正SMA螺紋規格	2013/10/01	



JYE BAO P/N	L CM (INCH)	L1 FT (MM)
A95MC39-85S-15	15 (5.906)	0.476 (145.0)
A95MC39-85S-30	30 (11.811)	0.968 (295.0)
A95MC39-85S-50	50 (19.685)	1.624 (495.0)
A95MC39-85S-100	100 (39.370)	3.264 (995.0)
A95MC39-85S-150	150 (59.055)	4.905 (1495.0)
A95MC39-85S-200	200 (78.740)	6.545 (1995.0)
A95MC39-85S-XXX	CUSTOM LENGTH IN CM	- - -



3	SMC3300-9085	SMC PLUG R/A	1	EA	LENGTH TOLERANCE IS ±1.5% OR ±10MM, WHICHEVER IS GREATER.	STANDARD	REV A	UNIT CM(INCH)	JYE BAO CO., LTD. TAIPEI TAIWAN
						APPROVED	DATE	DESCRIPTION CABLE ASSEMBLY SMA R/P JACK FOR BULKHEAD TO SMC PLUG R/A	
						CHECKED	DATE	DESCRIPTION JYE BAO DRAWING NO.	
						DRAWING Albert	DATE	DESCRIPTION A95MC39-85S-XXX	
2	.085SRF-W-P-50	CABLE	L1 (SEE TABLE)	FT					
1	SMA9305A-0085	SMA R/P JACK	1	EA					
NO.	PARTS NO.	DESCRIPTION	Q'TY	U/M					