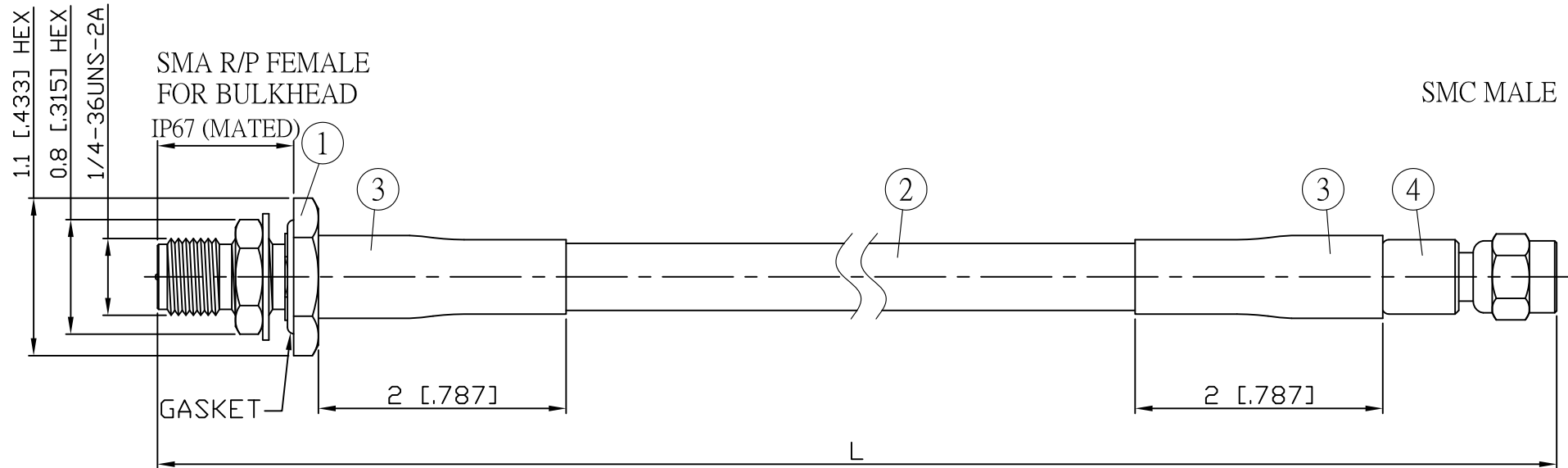
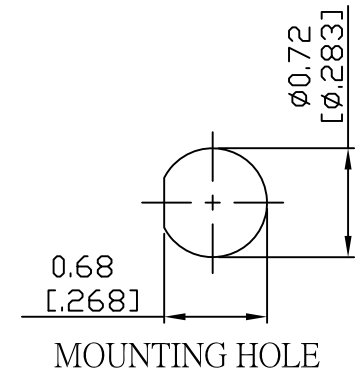


| NO. | COMPONENTS | IMPEDANCE |
|-----|--|-----------|
| 1 | SMA REVERSE POLARITY FEMALE FOR BULKHEAD | 50 OHM |
| 2 | RG223 | 50 OHM |
| 3 | HEAT SHRINKING TUBE | |
| 4 | SMC MALE | 50 OHM |

| REVISION | | | |
|----------|-----------------|------------|----------|
| REV. | DESCRIPTION | DATE | APPROVED |
| - | INITIAL RELEASE | 2012/08/15 | |
| A | 修正SMA螺紋規格 | 2013/10/01 | |



| JYE BAO P/N | L CM (INCH) | L1 FT (MM) |
|-----------------|------------------------|----------------|
| A95MC30-223-15 | 15 (5.906) | 0.441 (134.5) |
| A95MC30-223-30 | 30 (11.811) | 0.933 (284.5) |
| A95MC30-223-50 | 50 (19.685) | 1.590 (484.5) |
| A95MC30-223-100 | 100 (39.370) | 3.230 (984.5) |
| A95MC30-223-150 | 150 (59.055) | 4.870 (1484.5) |
| A95MC30-223-200 | 200 (78.740) | 6.511 (1984.5) |
| A95MC30-223-XXX | CUSTOM LENGTH IN CM | - - - |



| | | | | |
|-----|-------------------|--------------|----------------|-----|
| 4 | SMC3100-0223 | SMC PLUG | 1 | EA |
| 3 | G5(F)-8.0MM-BLACK | TUBE | 0.04 | M |
| 2 | RG223 | CABLE | L1 (SEE TABLE) | FT |
| 1 | SMA9105-0223 | SMA R/P JACK | 1 | EA |
| NO. | PARTS NO. | DESCRIPTION | Q'TY | U/M |

| | | | | |
|---|-------------------|----------|---|---|
| LENGTH TOLERANCE IS $\pm 1.5\%$ OR ± 10 MM, WHICHEVER IS GREATER. | STANDARD | REV A | UNIT CM(INCH) | JYE BAO CO., LTD. TAIPEI TAIWAN |
| | APPROVED | DATE | DESCRIPTION CABLE ASSEMBLY SMA R/P JACK FOR BULKHEAD TO SMC PLUG | |
| | CHECKED | DATE | DESCRIPTION JYE BAO DRAWING NO. | |
| | DRAWING Albert | DATE | DESCRIPTION A95MC30-223-XXX | |