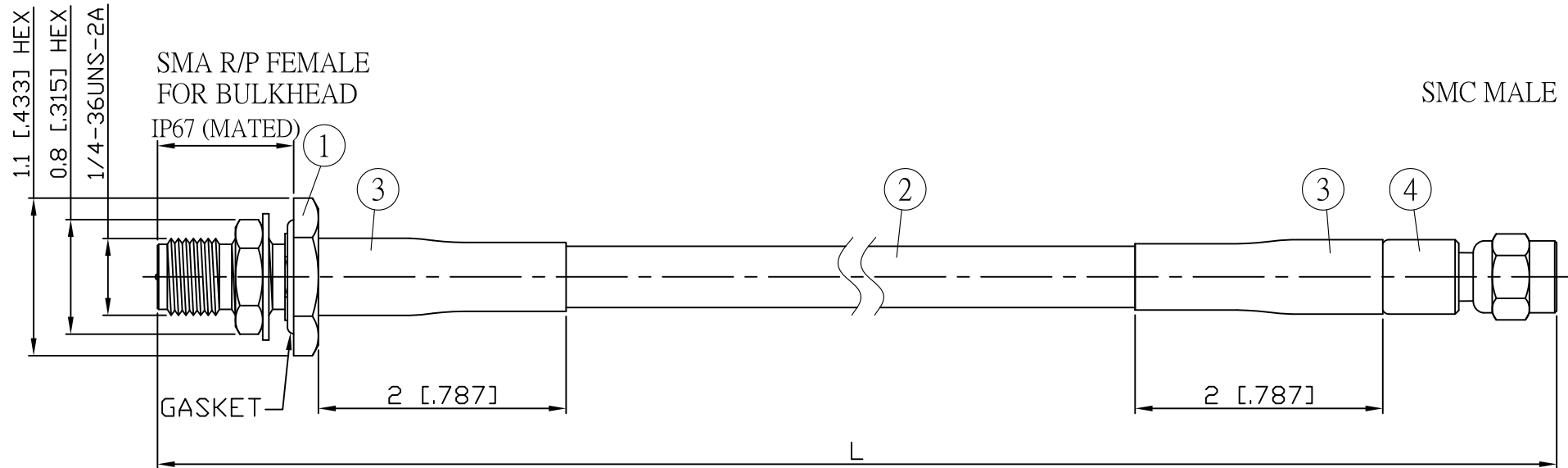
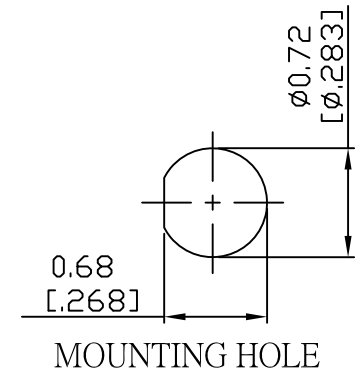


NO.	COMPONENTS	IMPEDANCE
1	SMA REVERSE POLARITY FEMALE FOR BULKHEAD	50 OHM
2	RG142	50 OHM
3	HEAT SHRINKING TUBE	
4	SMC MALE	50 OHM

REVISION			
REV.	DESCRIPTON	DATE	APPROVED
-	INITIAL RELEASE	2012/08/15	
A	修正SMA螺紋規格	2013/10/01	



JYE BAO P/N	L CM (INCH)	L1 FT (MM)
A95MC30-142-15	15 (5.906)	0.441 (134.5)
A95MC30-142-30	30 (11.811)	0.933 (284.5)
A95MC30-142-50	50 (19.685)	1.590 (484.5)
A95MC30-142-100	100 (39.370)	3.230 (984.5)
A95MC30-142-150	150 (59.055)	4.870 (1484.5)
A95MC30-142-200	200 (78.740)	6.511 (1984.5)
A95MC30-142-XXX	CUSTOM LENGTH IN CM	- - -



				STANDARD	REV A	UNIT CM(INCH)	JYE BAO CO., LTD.	
				APPROVED			TAIPEI TAIWAN	
				CHECKED			DESCRIPTION	CABLE ASSEMBLY SMA R/P JACK FOR BULKHEAD TO SMC PLUG
				DRAWING	Albert		JYE BAO DRAWING NO.	A95MC30-142-XXX
4	SMC3100-0142	SMC PLUG	1	EA	LENGTH TOLERANCE IS ±1.5% OR ±10MM, WHICHEVER IS GREATER.			
3	G5(F)-8.0MM-BLACK	TUBE	0.04	M				
2	RG142	CABLE	L1 (SEE TABLE)	FT				
1	SMA9105-0142	SMA R/P JACK	1	EA				
NO.	PARTS NO.	DESCRIPTION	Q'TY	U/M				