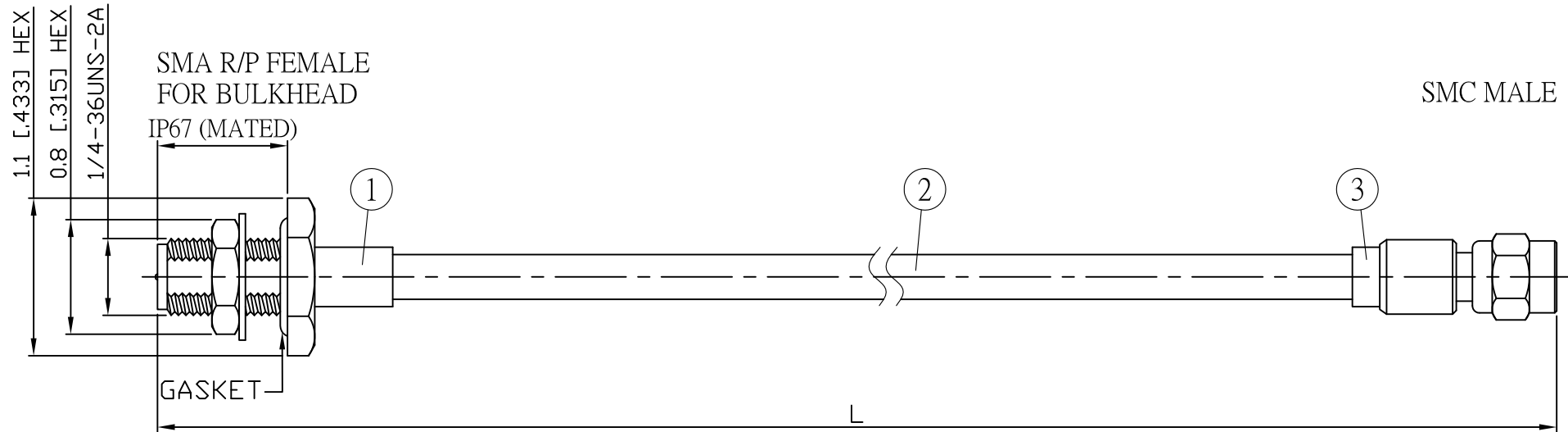
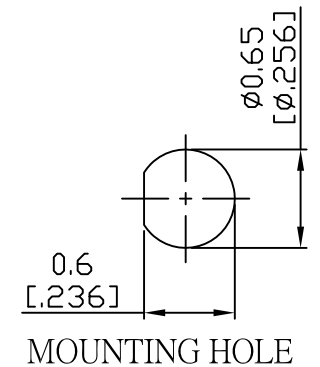


| NO. | COMPONENTS   | IMPEDANCE |
|-----|--|-----------|
| 1   | SMA REVERSE POLARITY FEMALE FOR BULKHEAD               | 50 OHM    |
| 2   | .141" HANDBENDABLE CABLE (= JYEBAO P/N .141SRF-W-P-50) | 50 OHM    |
| 3   | SMC MALE   | 50 OHM    |

| REVISION |                 |            |          |
|----------|-----------------|------------|----------|
| REV.     | DESCRIPTON      | DATE       | APPROVED |
| -        | INITIAL RELEASE | 2012/08/15 |          |
| A        | 修正SMA螺紋規格       | 2013/10/01 |          |



| JYE BAO P/N      | L<br>CM (INCH)         | L1<br>FT (MM)  |
|------------------|------------------------|----------------|
| A95MC30-141S-15  | 15 (5.906)             | 0.441 (134.5)  |
| A95MC30-141S-30  | 30 (11.811)            | 0.933 (284.5)  |
| A95MC30-141S-50  | 50 (19.685)            | 1.590 (484.5)  |
| A95MC30-141S-100 | 100 (39.370)           | 3.230 (984.5)  |
| A95MC30-141S-150 | 150 (59.055)           | 4.870 (1484.5) |
| A95MC30-141S-200 | 200 (78.740)           | 6.511 (1984.5) |
| A95MC30-141S-XXX | CUSTOM<br>LENGTH IN CM | - - -          |



|   |                |              |                | STANDARD | REV<br>A | UNIT<br>CM(INCH) | <b>JYE BAO CO., LTD.</b> |  |  |
|---|----------------|--------------|----------------|----------|----------|------------------|--------------------------|--|--|
| LENGTH TOLERANCE IS ±1.5% OR ±10MM, WHICHEVER IS GREATER. |                |              |                | APPROVED |          |                  | TAIPEI TAIWAN            |  |  |
|   |                |              |                | CHECKED  |          |                  | DESCRIPTION              | CABLE ASSEMBLY SMA R/P JACK FOR BULKHEAD TO SMC PLUG |  |
|   |                |              |                | DRAWING  | Albert   |                  | JYE BAO DRAWING NO.      | A95MC30-141S-XXX                                     |  |
| 3   | SMC3300-0141   | SMC PLUG     | 1              | EA       |          |                  |                          |  |  |
| 2   | .141SRF-W-P-50 | CABLE        | L1 (SEE TABLE) | FT       |          |                  |                          |  |  |
| 1   | SMA9305-0141   | SMA R/P JACK | 1              | EA       |          |                  |                          |  |  |
| NO.   | PARTS NO.      | DESCRIPTION  | Q'TY           | U/M      |          |                  |                          |  |  |