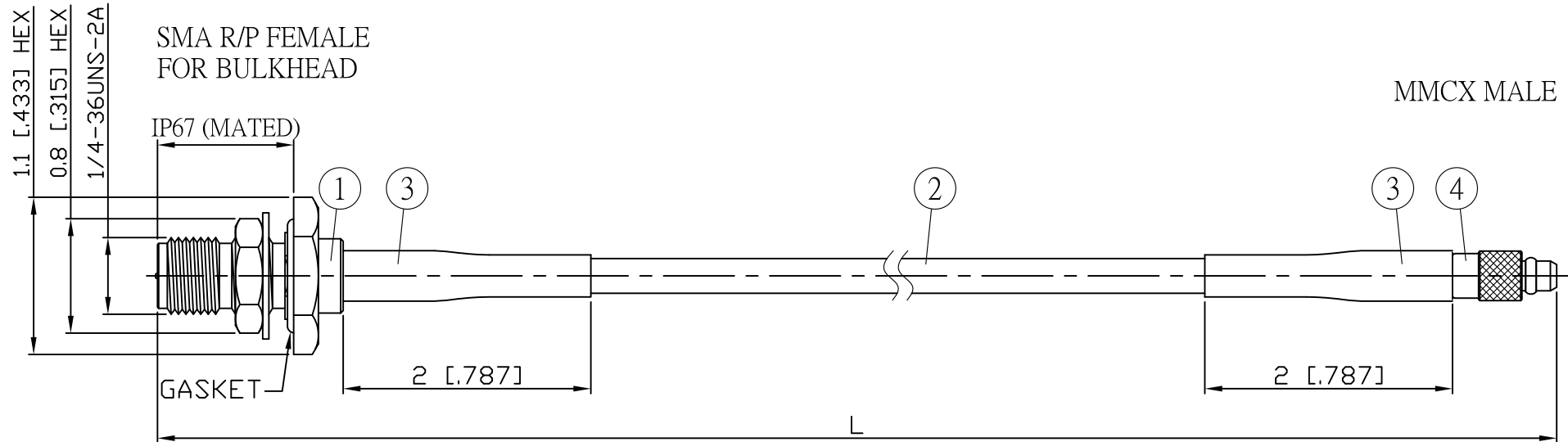
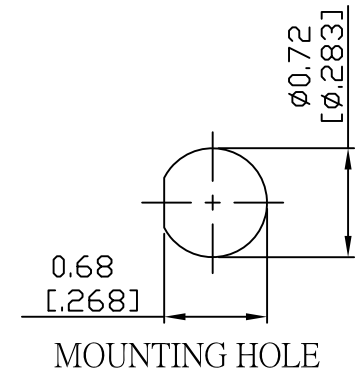


NO.	COMPONENTS	IMPEDANCE
1	SMA REVERSE POLARITY FEMALE FOR BULKHEAD	50 OHM
2	RG174	50 OHM
3	HEAT SHRINKING TUBE	
4	MMCX MALE	50 OHM

REVISION			
REV.	DESCRIPTON	DATE	APPROVED
-	INITIAL RELEASE	2012/08/15	



JYE BAO P/N	L CM (INCH)	L1 FT (MM)
A95E30-174-15	15 (5.906)	0.458 (139.5)
A95E30-174-30	30 (11.811)	0.950 (289.5)
A95E30-174-50	50 (19.685)	1.606 (489.5)
A95E30-174-100	100 (39.370)	3.246 (989.5)
A95E30-174-150	150 (59.055)	4.887 (1489.5)
A95E30-174-200	200 (78.740)	6.527 (1989.5)
A95E30-174-XXX	CUSTOM LENGTH IN CM	- - -



4	MMCX3100-0316	MMCX PLUG	1	EA
3	G5(F)-4.0MM-BLACK	TUBE	0.04	M
2	RG174	CABLE	L1 (SEE TABLE)	FT
1	SMA9105-0316	SMA R/P JACK	1	EA
NO.	PARTS NO.	DESCRIPTION	Q'TY	U/M

LENGTH TOLERANCE IS ±1.5% OR ±10MM, WHICHEVER IS GREATER.	STANDARD	REV -	UNIT CM(INCH)	JYE BAO CO., LTD. TAIPEI TAIWAN
	APPROVED	DATE	DESCRIPTION CABLE ASSEMBLY SMA R/P JACK FOR BULKHEAD TO MMCX PLUG	
	CHECKED	DATE	JYE BAO DRAWING NO.	A95E30-174-XXX
	DRAWING Albert	DATE		