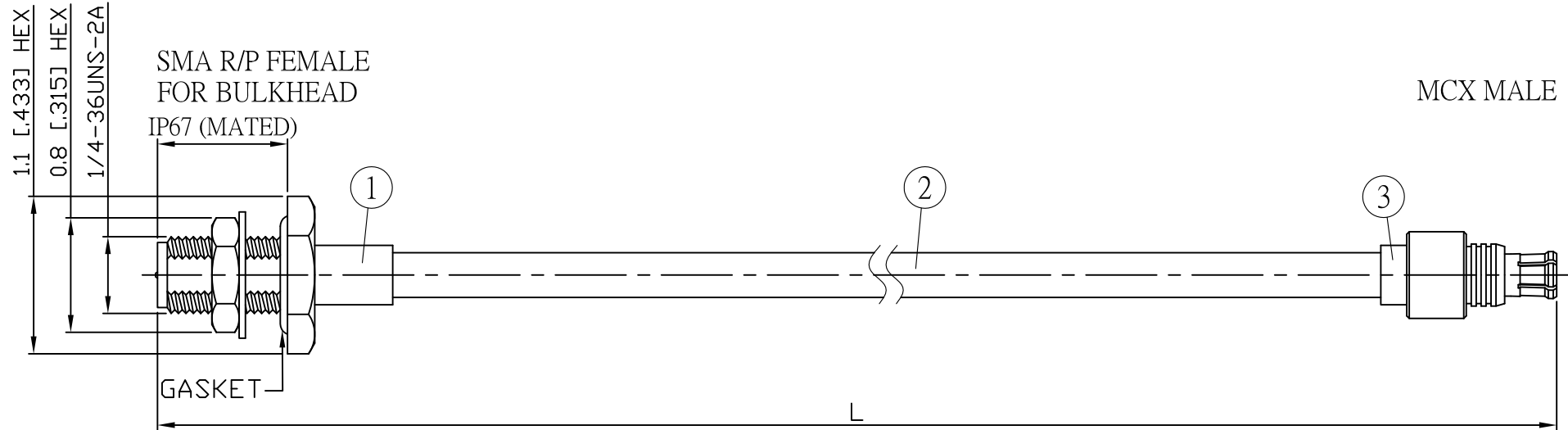
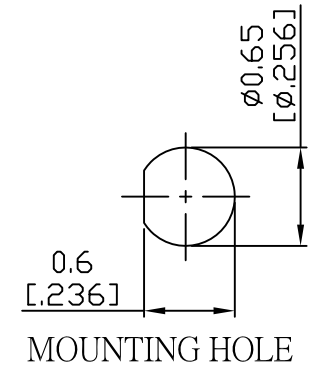


NO.	COMPONENTS	IMPEDANCE
1	SMA REVERSE POLARITY FEMALE FOR BULKHEAD	50 OHM
2	.141" HANDBENDABLE CABLE (= JYEBAO P/N .141SRF-W-P-50)	50 OHM
3	MCX MALE	50 OHM

REVISION			
REV.	DESCRIPTON	DATE	APPROVED
-	INITIAL RELEASE	2012/08/15	
A	修正SMA螺紋規格	2013/10/01	



JYE BAO P/N	L CM (INCH)	L1 FT (MM)
A95D30-141S-15	15 (5.906)	0.446 (136.0)
A95D30-141S-30	30 (11.811)	0.938 (286.0)
A95D30-141S-50	50 (19.685)	1.594 (486.0)
A95D30-141S-100	100 (39.370)	3.235 (986.0)
A95D30-141S-150	150 (59.055)	4.875 (1486.0)
A95D30-141S-200	200 (78.740)	6.516 (1986.0)
A95D30-141S-XXX	CUSTOM LENGTH IN CM	- - -



				STANDARD	REV A	UNIT CM(INCH)	JYE BAO CO., LTD.		
LENGTH TOLERANCE IS ±1.5% OR ±10MM, WHICHEVER IS GREATER.				APPROVED			TAIPEI TAIWAN		
				CHECKED			DESCRIPTION	CABLE ASSEMBLY SMA R/P JACK FOR BULKHEAD TO MCX PLUG	
				DRAWING	Albert		JYE BAO DRAWING NO.	A95D30-141S-XXX	
NO.	PARTS NO.	DESCRIPTION	Q'TY	U/M					