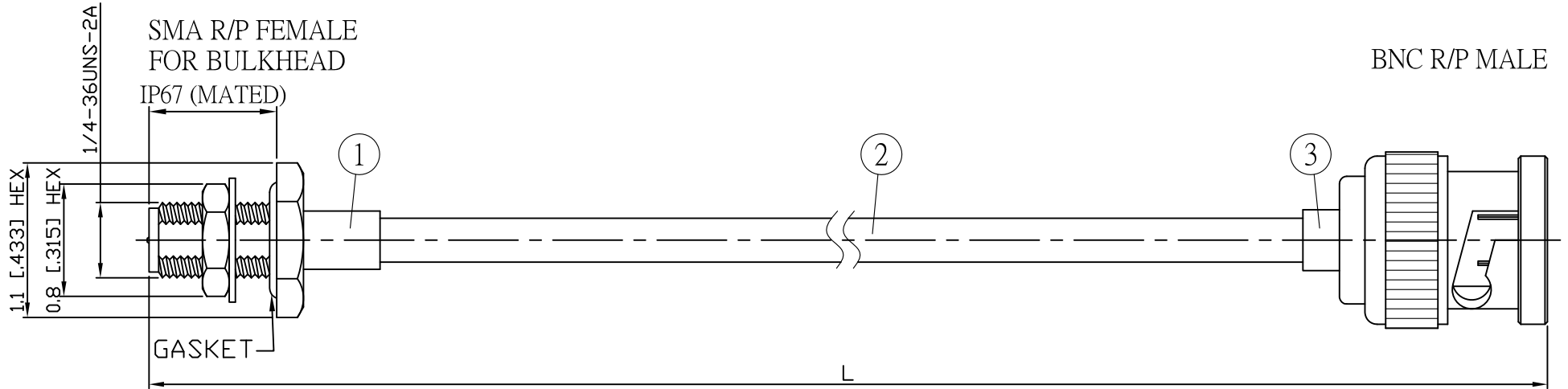
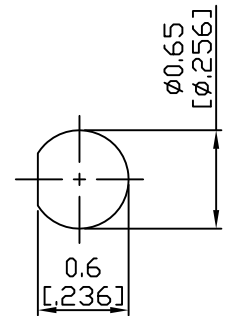


NO.	COMPONENTS	IMPEDANCE
1	SMA REVERSE POLARITY FEMALE FOR BULKHEAD	50 OHM
2	.141" TIN PLATED SEMI-RIGID CABLE (TIN PLATED RG402)	50 OHM
3	HEAT SHRINKING TUBE	
4	BNC REVERSE POLARITY MALE	50 OHM

REVISION			
REV.	DESCRIPTON	DATE	APPROVED
-	INITIAL RELEASE	2011/03/15	
A	修正SMA螺紋規格	2013/10/01	



JYE BAO P/N	L CM (INCH)	L1 FT (MM)
A95B60-141T-15	15 (5.906)	0.445 (135.5)
A95B60-141T-30	30 (11.811)	0.937 (285.5)
A95B60-141T-50	50 (19.685)	1.593 (485.5)
A95B60-141T-100	100 (39.370)	3.233 (985.5)
A95B60-141T-150	150 (59.055)	4.874 (1485.5)
A95B60-141T-200	200 (78.740)	6.514 (1985.5)
A95B60-141T-XXX	CUSTOM LENGTH IN CM	- - -



MOUNTING HOLE

LENGTH TOLERANCE IS ±1.5% OR ±10MM, WHICHEVER IS GREATER.					STANDARD	REV A	UNIT CM(INCH)	JYE BAO CO., LTD.	
3 BNC6300-0141 BNC R/P PLUG 1 EA 2 .141TIN-W-P-50 CABLE L1 (SEE TABLE) FT 1 SMA9305-0141 SMA R/P JACK 1 EA NO. PARTS NO. DESCRIPTION Q'TY U/M					APPROVED		DATE	TAIPEI TAIWAN	
					CHECKED		DATE	DESCRIPTION CABLE ASSEMBLY SMA R/P JACK FOR BULKHEAD TO BNC R/P PLUG	
					DRAWING	Albert	DATE	JYE BAO DRAWING NO. A95B60-141T-XXX	