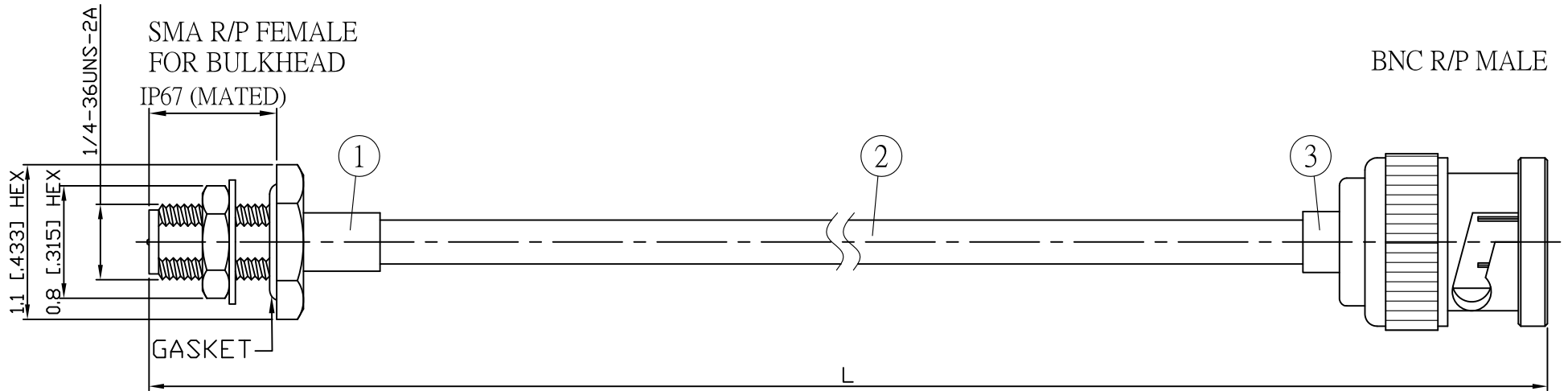
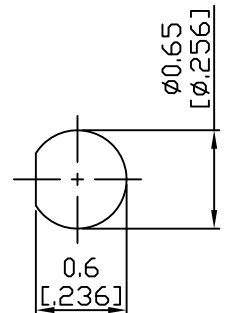


NO.	COMPONENTS	IMPEDANCE
1	SMA REVERSE POLARITY FEMALE FOR BULKHEAD	50 OHM
2	.141" HANDBENDABLE CABLE (= JYBAO P/N .141SRF-W-P-50)	50 OHM
3	HEAT SHRINKING TUBE	
4	BNC REVERSE POLARITY MALE	50 OHM

REVISION			
REV.	DESCRIPTON	DATE	APPROVED
-	INITIAL RELEASE	2011/03/15	
A	修正SMA螺紋規格	2013/10/01	



JYE BAO P/N	L CM (INCH)	L1 FT (MM)
A95B60-141S-15	15 (5.906)	0.445 (135.5)
A95B60-141S-30	30 (11.811)	0.937 (285.5)
A95B60-141S-50	50 (19.685)	1.593 (485.5)
A95B60-141S-100	100 (39.370)	3.233 (985.5)
A95B60-141S-150	150 (59.055)	4.874 (1485.5)
A95B60-141S-200	200 (78.740)	6.514 (1985.5)
A95B60-141S-XXX	CUSTOM LENGTH IN CM	- - -



MOUNTING HOLE

					STANDARD	REV A	UNIT CM(INCH)	JYE BAO CO., LTD.		
LENGTH TOLERANCE IS ±1.5% OR ±10MM, WHICHEVER IS GREATER.					APPROVED			TAIPEI TAIWAN		
					CHECKED			DESCRIPTION	CABLE ASSEMBLY SMA R/P JACK FOR BULKHEAD TO BNC R/P PLUG	
					DRAWING	Albert		JYE BAO DRAWING NO.	A95B60-141S-XXX	
3	BNC6300-0141	BNC R/P PLUG	1	EA						
2	.141SRF-W-P-50	CABLE	L1 (SEE TABLE)	FT						
1	SMA9305-0141	SMA R/P JACK	1	EA						
NO.	PARTS NO.	DESCRIPTION	Q'TY	U/M						