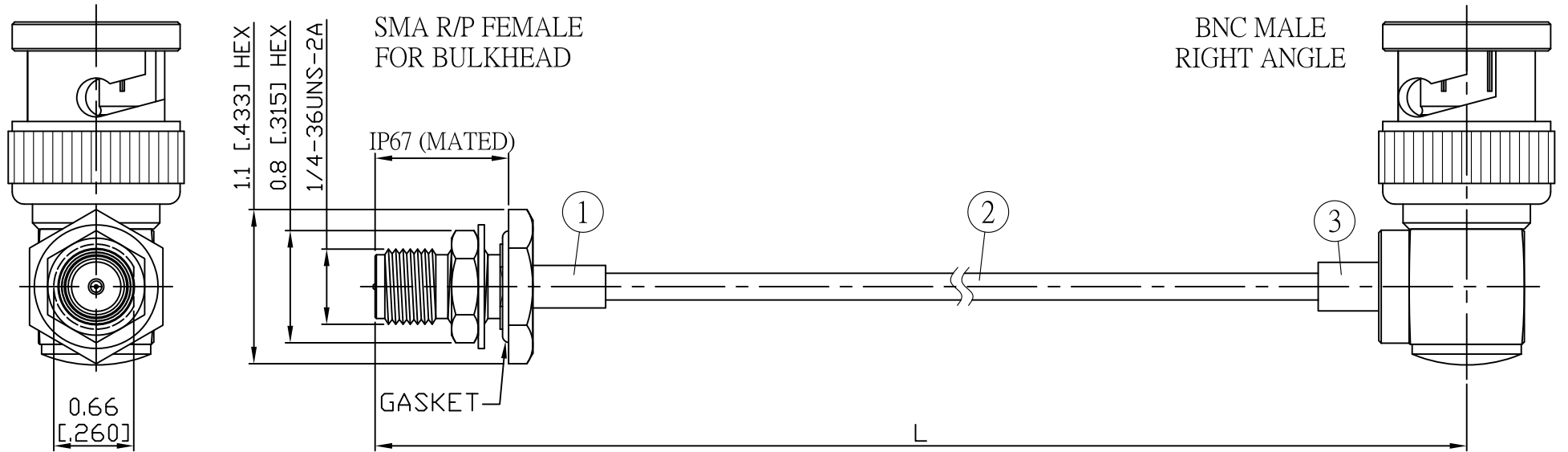
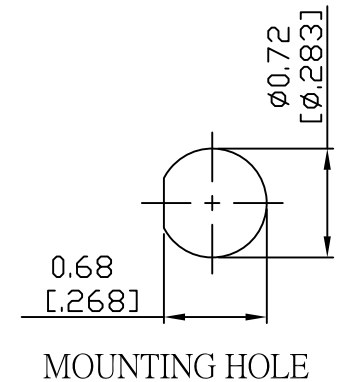


NO.	COMPONENTS	IMPEDANCE
1	SMA REVERSE POLARITY FEMALE FOR BULKHEAD	50 OHM
2	.085" TIN PLATED SEMI-RIGID CABLE (TIN PLATED RG405)	50 OHM
3	BNC MALE RIGHT ANGLE	50 OHM

REVISION			
REV.	DESCRIPTION	DATE	APPROVED
-	INITIAL RELEASE	2012/08/15	
A	修正SMA螺紋規格	2013/10/01	



JYE BAO P/N	L CM (INCH)	L1 FT (MM)
A95B39-85T-15	15 (5.906)	0.477 (145.5)
A95B39-85T-30	30 (11.811)	0.969 (295.5)
A95B39-85T-50	50 (19.685)	1.626 (495.5)
A95B39-85T-100	100 (39.370)	3.266 (995.5)
A95B39-85T-150	150 (59.055)	4.906 (1495.5)
A95B39-85T-200	200 (78.740)	6.547 (1995.5)
A95B39-85T-XXX	CUSTOM LENGTH IN CM	- - -



3	BNC3300-9085	BNC PLUG R/A	1	EA
2	.085TIN-W-P-50	CABLE	L1 (SEE TABLE)	FT
1	SMA9305A-0085	SMA R/P JACK	1	EA
NO.	PARTS NO.	DESCRIPTION	Q'TY	U/M

LENGTH TOLERANCE IS ±1.5% OR ±10MM, WHICHEVER IS GREATER.	STANDARD	REV A	UNIT CM(INCH)	JYE BAO CO., LTD. TAIPEI TAIWAN
	APPROVED	DATE	DESCRIPTION CABLE ASSEMBLY SMA R/P JACK FOR BULKHEAD TO BNC PLUG R/A	
	CHECKED	DATE	DRAWING Albert	JYE BAO DRAWING NO. A95B39-85T-XXX
		DATE		