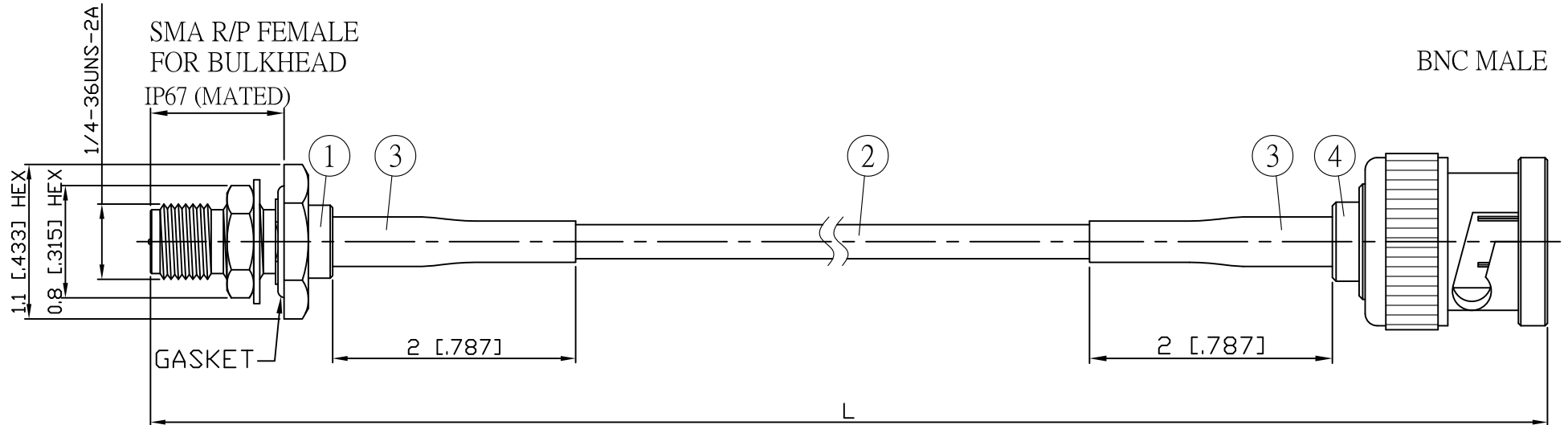
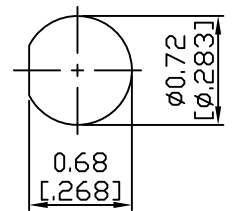


NO.	COMPONENTS	IMPEDANCE
1	SMA REVERSE POLARITY FEMALE FOR BULKHEAD	50 OHM
2	JB Y100	50 OHM
3	HEAT SHRINKING TUBE	
4	BNC MALE	50 OHM

REVISION			
REV.	DESCRIPTON	DATE	APPROVED
-	INITIAL RELEASE	2012/08/15	
A	修正SMA螺紋規格	2013/10/01	



JYE BAO P/N	L CM (INCH)	L1 FT (MM)
A95B30-L100-15	15 (5.906)	0.438 (133.5)
A95B30-L100-30	30 (11.811)	0.930 (283.5)
A95B30-L100-50	50 (19.685)	1.586 (483.5)
A95B30-L100-100	100 (39.370)	3.227 (983.5)
A95B30-L100-150	150 (59.055)	4.867 (1483.5)
A95B30-L100-200	200 (78.740)	6.508 (1983.5)
A95B30-L100-XXX	CUSTOM LENGTH IN CM	- - -



MOUNTING HOLE

					STANDARD	REV A	UNIT CM(INCH)	JYE BAO CO., LTD.	
					APPROVED			TAIPEI TAIWAN	
					CHECKED			DESCRIPTION	CABLE ASSEMBLY SMA R/P JACK FOR BULKHEAD TO BNC PLUG
					DRAWING	Albert		JYE BAO DRAWING NO.	A95B30-L100-XXX
4	BNC3100-L100	BNC PLUG	1	EA	LENGTH TOLERANCE IS ±1.5% OR ±10MM, WHICHEVER IS GREATER.				
3	G5(F)-4.0MM-BLACK	TUBE	0.04	M					
2	JB Y100	CABLE	L1 (SEE TABLE)	FT					
1	SMA9105-L100	SMA R/P JACK	1	EA					
NO.	PARTS NO.	DESCRIPTION	Q'TY	U/M					