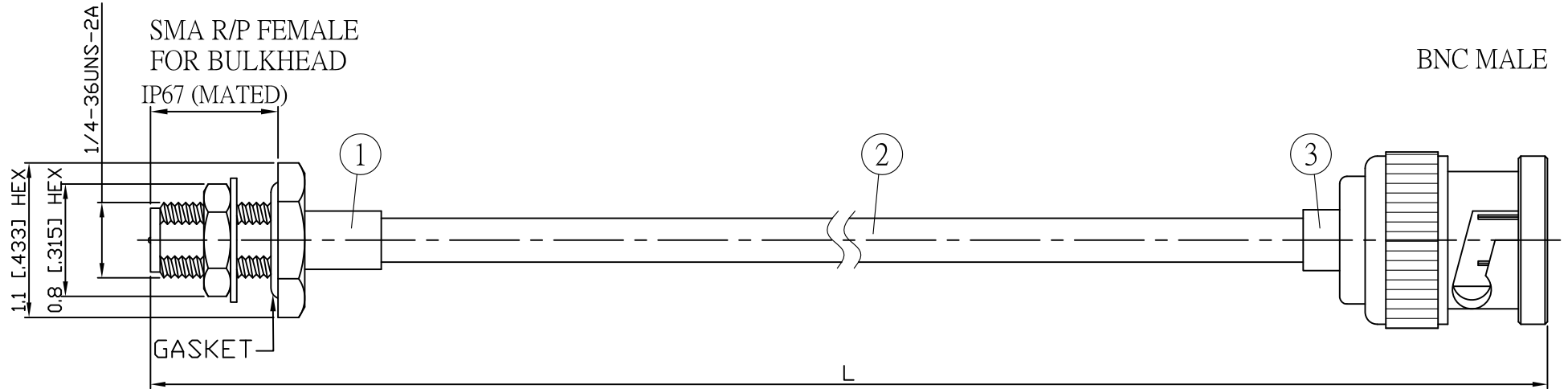
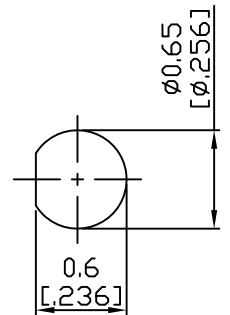


NO.	COMPONENTS	IMPEDANCE
1	SMA REVERSE POLARITY FEMALE FOR BULKHEAD	50 OHM
2	.141" HANDBENDABLE CABLE (= JYEBAO P/N .141SRF-W-P-50)	50 OHM
3	BNC MALE	50 OHM

REVISION			
REV.	DESCRIPTON	DATE	APPROVED
-	INITIAL RELEASE	2011/03/15	
A	修正SMA螺紋規格	2013/10/01	



JYE BAO P/N	L CM (INCH)	L1 FT (MM)
A95B30-141S-15	15 (5.906)	0.445 (135.5)
A95B30-141S-30	30 (11.811)	0.937 (285.5)
A95B30-141S-50	50 (19.685)	1.593 (485.5)
A95B30-141S-100	100 (39.370)	3.233 (985.5)
A95B30-141S-150	150 (59.055)	4.874 (1485.5)
A95B30-141S-200	200 (78.740)	6.514 (1985.5)
A95B30-141S-XXX	CUSTOM LENGTH IN CM	- - -



MOUNTING HOLE

				STANDARD	REV A	UNIT CM(INCH)	JYE BAO CO., LTD.	
				APPROVED			TAIPEI TAIWAN	
				CHECKED		DATE	DESCRIPTION CABLE ASSEMBLY SMA R/P JACK FOR BULKHEAD TO BNC PLUG	
				DRAWING	Albert	DATE	JYE BAO DRAWING NO. A95B30-141S-XXX	
3	BNC3300-0141	BNC PLUG	1	EA				
2	.141SRF-W-P-50	CABLE	L1 (SEE TABLE)	FT				
1	SMA9305-0141	SMA R/P JACK	1	EA				
NO.	PARTS NO.	DESCRIPTION	Q'TY	U/M				

LENGTH TOLERANCE IS $\pm 1.5\%$ OR $\pm 10\text{MM}$, WHICHEVER IS GREATER.