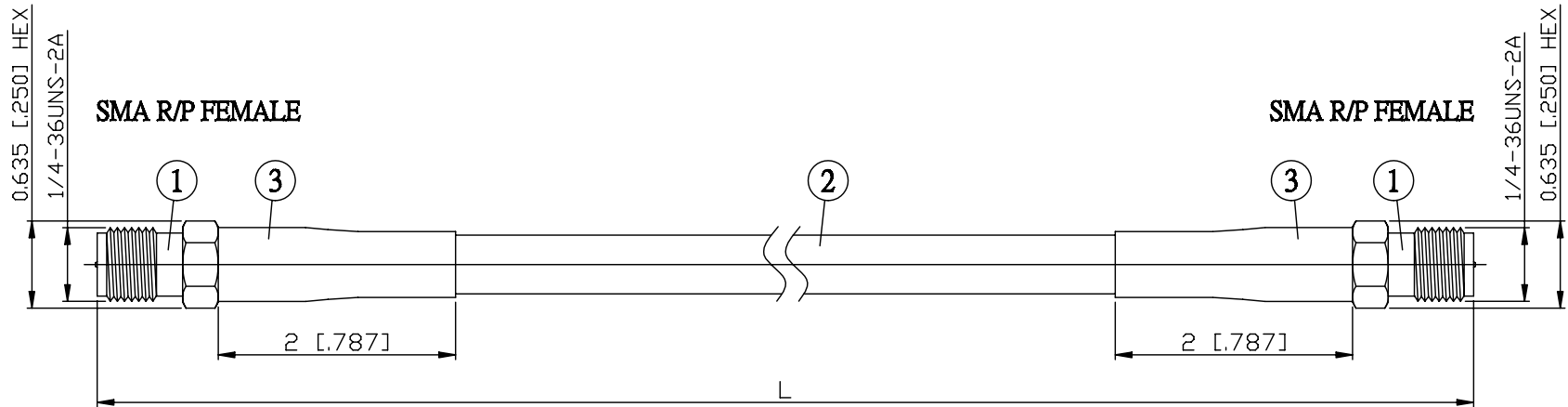


NO.	COMPONENTS	IMPEDANCE
1	SMA REVERSE POLARITY FEMALE	50 OHM
2	RG142	50 OHM
3	HEAT SHRINKING TUBE	



JYE BAO P/N	L CM (INCH)
A90A90-142-15	15 (5.906)
A90A90-142-30	30 (11.811)
A90A90-142-50	50 (19.685)
A90A90-142-100	100 (39.370)
A90A90-142-150	150 (59.055)
A90A90-142-200	200 (78.740)
A90A90-142-XXX	CUSTOM LENGTH IN CM

LENGTH TOLERANCE IS $\pm 1.5\%$ OR $\pm 10\text{MM}$, WHICHEVER IS GREATER.	JYE BAO CO., LTD. TAIPEI TAIWAN
	DESCRIPTION CABLE ASSEMBLY SMA R/P JACK TO SMA R/P JACK
	JYE BAO DRAWING NO. A90A90-142-XXX