

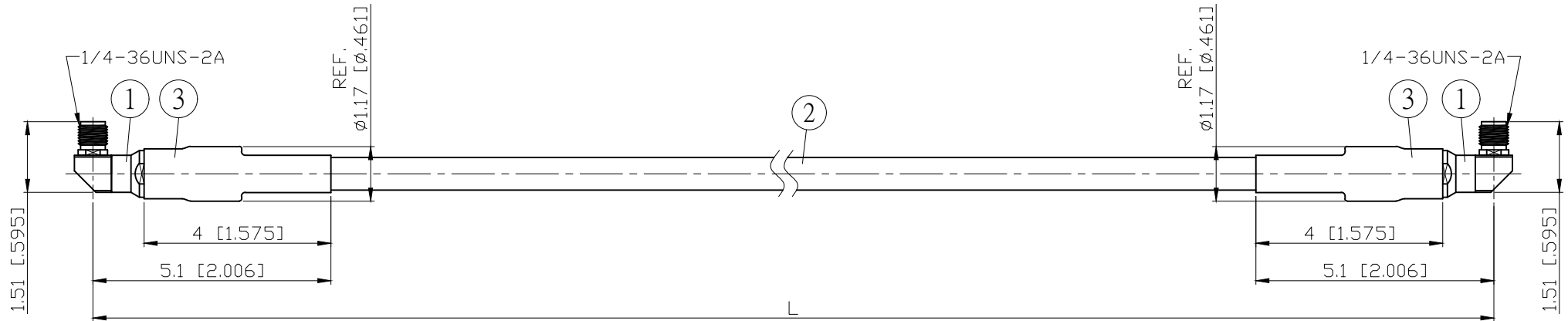
NO.	COMPONENTS	IMPEDANCE
1	SMA FEMALE RIGHT ANGLE	50 OHM
2	6005A	50 OHM
3	HEAT SHRINKING TUBE	

REVISION			
REV.	DESCRIPTION	DATE	APPROVED
-	INITIAL RELEASE	2019/05/30	

SUPER FLEXIBLE TEST LEAD WITH EXTRA STURDY CABLE / CONNECTOR CONNECTION.

SMA FEMALE
RIGHT ANGLE

SMA FEMALE
RIGHT ANGLE



JYE BAO P/N	Freq. (GHz)	Max. Return Loss	L CM (INCH)
A89A89-65-18GXXX	18	-16.5dB	50 (19.685)
			100 (39.370)
			150 (59.055)
			200 (78.740)
			CUSTOM LENGTH IN CM

※ RoHS COMPLIANT

NOTE: TEMPERATURE RANGE: -40°C ~ +85°C

LENGTH TOLERANCE
IS ±1.5% OR ±10MM,
WHICHEVER IS
GREATER.

JYE BAO CO., LTD.
TAIPEI TAIWAN

DESCRIPTION
CABLE ASSEMBLY SMA JACK R/A TO SMA JACK R/A

JYE BAO DRAWING NO.

A89A89-65-18GXXX