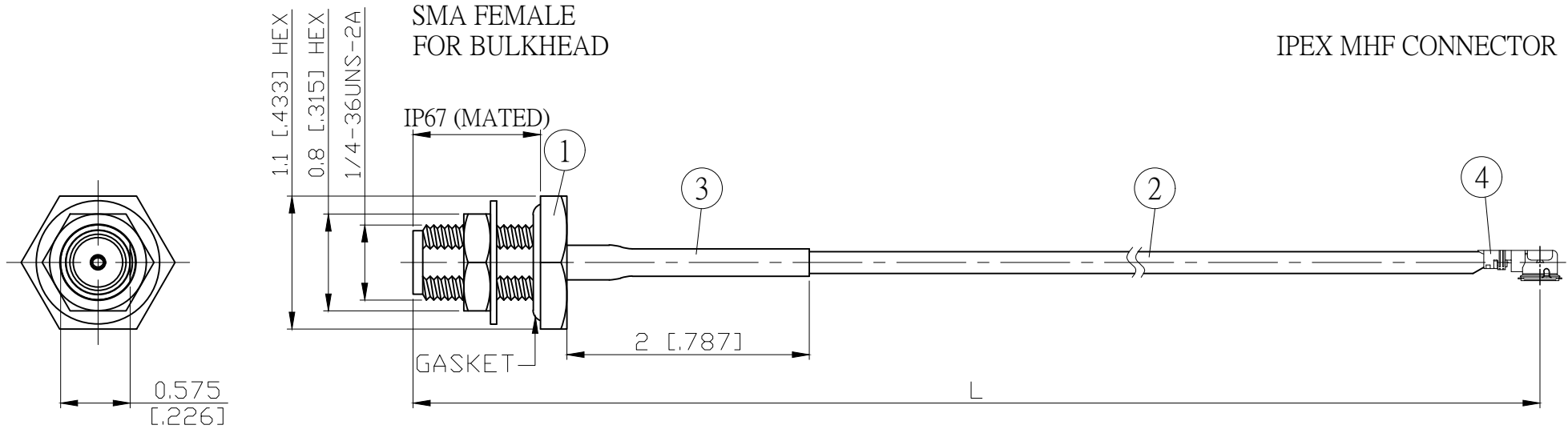
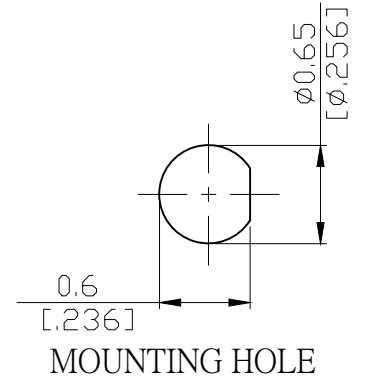


NO.	COMPONENTS	IMPEDANCE
1	SMA FEMALE FOR BULKHEAD	50 OHM
2	RG178	50 OHM
3	HEAT SHRINKING TUBE	
4	IPEX MHF CONNECTOR	50 OHM

REVISION			
REV.	DESCRIPTION	DATE	APPROVED
-	INITIAL RELEASE	2012/08/15	
A	ADD IP68 (MATED)	2017/01/10	
B	IP68 => IP67	2021/09/14	
C	SMA8305A-0178=>SMA8305PF1-0178	2022/05/19	



JYE BAO P/N	L CM (INCH)	L1 M (MM)
A85UFL-178-15	15 (5.906)	0.144 (144.0)
A85UFL-178-30	30 (11.811)	0.294 (294.0)
A85UFL-178-50	50 (19.685)	0.494 (494.0)
A85UFL-178-100	100 (39.370)	0.994 (994.0)
A85UFL-178-150	150 (59.055)	1.494 (1494.0)
A85UFL-178-200	200 (78.740)	1.994 (1994.0)
A85UFL-178-XXX	CUSTOM LENGTH IN CM	- - -



					STANDARD	REV C	UNIT CM(INCH)	<b>JYE BAO CO., LTD.</b>	
					APPROVED			TAIPEI TAIWAN	
					CHECKED			DESCRIPTION CABLE ASSEMBLY SMA JACK FOR BULKHEAD TO IPEX MHF CONNECTOR	
					DRAWING			JYE BAO DRAWING NO.	
						<i>Albert</i>		A85UFL-178-XXX	
4	20278-112R-18	IPEX MHF CONNECTOR	1	EA	LENGTH TOLERANCE IS ±1.5% OR ±10MM, WHICHEVER IS GREATER.				
3	G5(F)-3.0MM-BLACK	TUBE	0.02	M					
2	RG178	CABLE	SEE TABLE L1	M					
1	SMA8305PF1-0178	SMA JACK	1	EA					
NO.	PARTS NO.	DESCRIPTION	Q'TY	U/M					