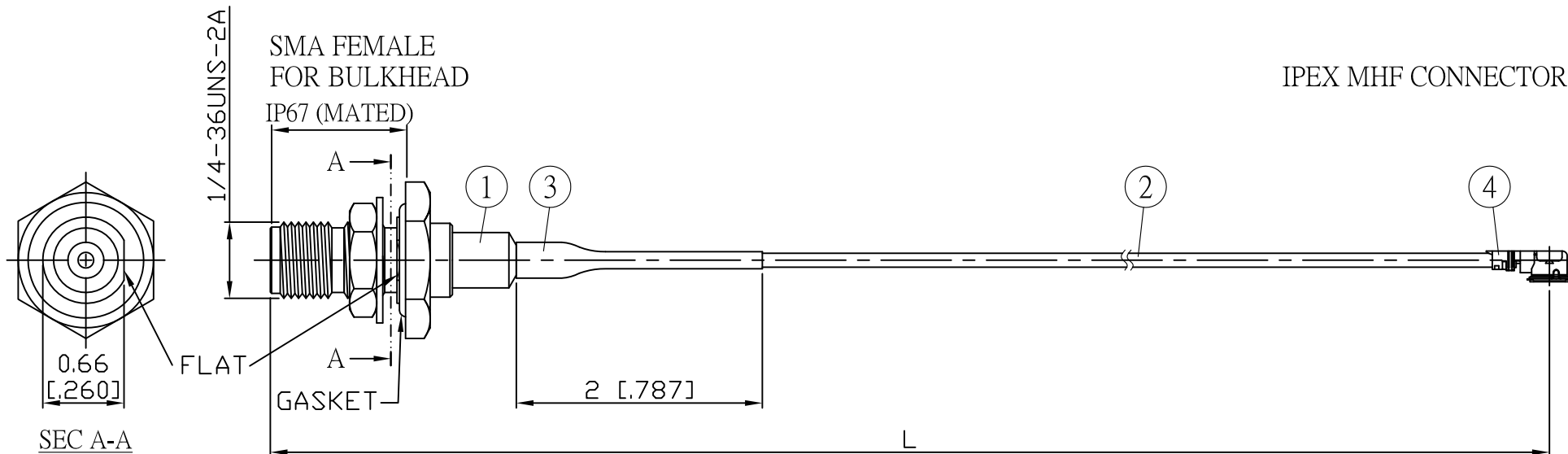
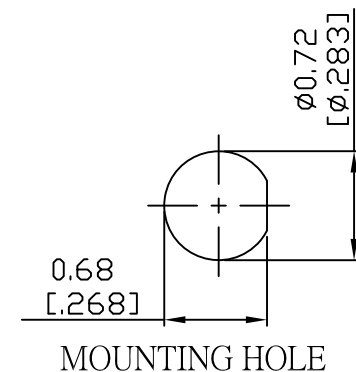


NO.	COMPONENTS	IMPEDANCE
1	SMA FEMALE FOR BULKHEAD	50 OHM
2	1.13MM CABLE	50 OHM
3	HEAT SHRINKING TUBE	
4	IPEX MHF CONNECTOR	50 OHM

REVISION			
REV.	DESCRIPTION	DATE	APPROVED
-	INITIAL RELEASE	2012/08/15	



JYE BAO P/N	L CM (INCH)	L1 FT (MM)
A85UFL-1.13-15	15 (5.906)	0.446 (136.0)
A85UFL-1.13-30	30 (11.811)	0.938 (286.0)
A85UFL-1.13-50	50 (19.685)	1.594 (486.0)
A85UFL-1.13-100	100 (39.370)	3.235 (986.0)
A85UFL-1.13-150	150 (59.055)	4.875 (1486.0)
A85UFL-1.13-200	200 (78.740)	6.516 (1986.0)
A85UFL-1.13-XXX	CUSTOM LENGTH IN CM	- - -



				STANDARD	REV -	UNIT CM(INCH)	JYE BAO CO., LTD.	
				APPROVED		DATE	TAIPEI TAIWAN	
				CHECKED		DATE	DESCRIPTION CABLE ASSEMBLY SMA JACK FOR BULKHEAD TO IPEX MHF CONNECTOR	
				DRAWING	Albert	DATE	JYE BAO DRAWING NO. A85UFL-1.13-XXX	
4	20278-1*1R-13	IPEX MHF CONNECTOR	1	EA	LENGTH TOLERANCE IS ±1.5% OR ±10MM, WHICHEVER IS GREATER.			
3	G5(F)-3.0MM-BLACK	TUBE	0.02	M				
2	1.13	CABLE	L1 (SEE TABLE)	FT				
1	SMA8105-1.13	SMA JACK	1	EA				
NO.	PARTS NO.	DESCRIPTION	Q'TY	U/M				