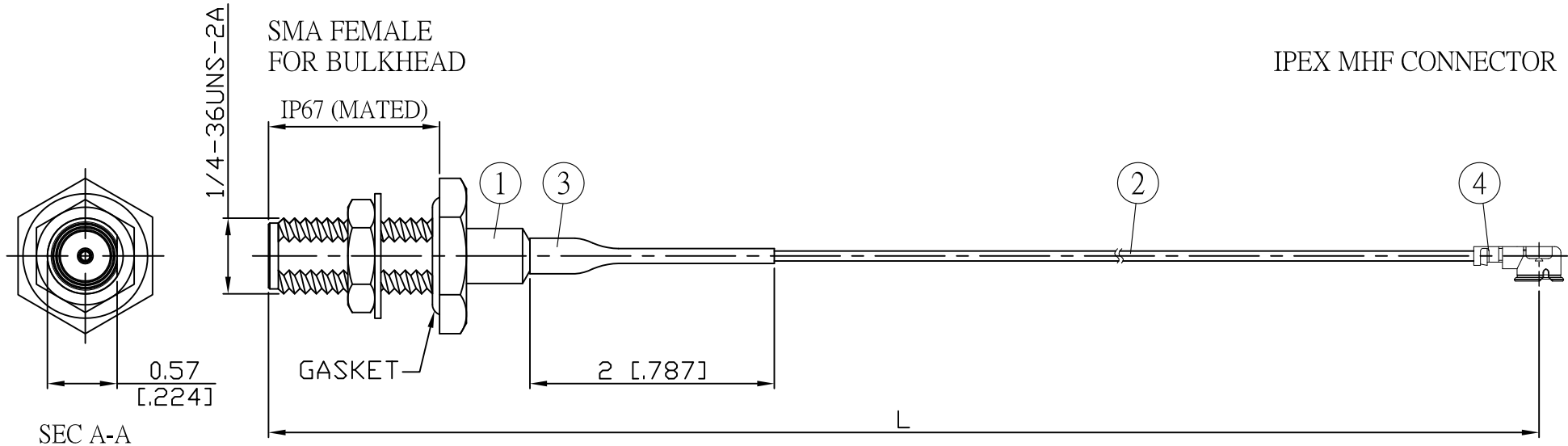
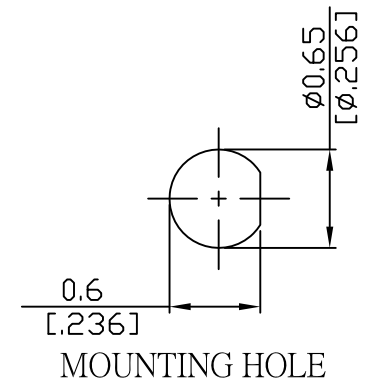


| NO. | COMPONENTS | IMPEDANCE |
|-----|-------------------------|-----------|
| 1 | SMA FEMALE FOR BULKHEAD | 50 OHM |
| 2 | 0.81MM CABLE | 50 OHM |
| 3 | HEAT SHRINKING TUBE | |
| 4 | IPEX MHF CONNECTOR | 50 OHM |

| REVISION | | | |
|----------|------------------|------------|----------|
| REV. | DESCRIPTION | DATE | APPROVED |
| - | INITIAL RELEASE | 2015/11/10 | |
| A | ADD IP67 (MATED) | 2021/09/14 | |



| JYE BAO P/N | L CM (INCH) | L1 M (MM) |
|----------------|------------------------|----------------|
| A85UFL-0.8-15 | 15 (5.906) | 0.133 (132.5) |
| A85UFL-0.8-30 | 30 (11.811) | 0.283 (282.5) |
| A85UFL-0.8-50 | 50 (19.685) | 0.483 (482.5) |
| A85UFL-0.8-100 | 100 (39.370) | 0.983 (982.5) |
| A85UFL-0.8-150 | 150 (59.055) | 1.483 (1482.5) |
| A85UFL-0.8-200 | 200 (78.740) | 1.983 (1982.5) |
| A85UFL-0.8-XXX | CUSTOM LENGTH IN CM | - - - |



| | | | | | STANDARD | REV A | UNIT CM(INCH) | JYE BAO CO., LTD. | |
|-----|-------------------|--------------------|--------------|-----|---|---------------|------------------|--|--|
| | | | | | APPROVED | | | TAIPEI TAIWAN | |
| | | | | | CHECKED | | | DESCRIPTION CABLE ASSEMBLY SMA JACK FOR BULKHEAD TO IPEX MHF CONNECTOR | |
| | | | | | DRAWING | | | JYE BAO DRAWING NO. | |
| | | | | | | <i>Albert</i> | | A85UFL-0.8-XXX | |
| 4 | 20278-112R-08 | IPEX MHF CONNECTOR | 1 | EA | LENGTH TOLERANCE IS ±1.5% OR ±10MM, WHICHEVER IS GREATER. | | | | |
| 3 | G5(F)-3.0MM-BLACK | TUBE | 0.04 | M | | | | | |
| 2 | 0.81MM-SP | CABLE | SEE TABLE L1 | M | | | | | |
| 1 | SMA8105LL-0.81 | SMA JACK | 1 | EA | | | | | |
| NO. | PARTS NO. | DESCRIPTION | Q'TY | U/M | | | | | |